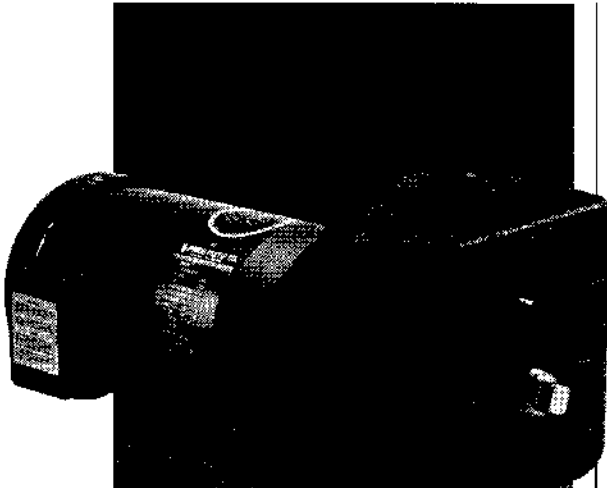


Flow to 150 GPM
Head to 95 ft.



Type SP150

SELF PRIMING CENTRIFUGAL PUMPS

Flows to 150 GPM
Heads to 95 Feet

MATERIALS

- Cast Iron (SP150AI)
- 316 SS (SP150SS)
- Cast Iron - Stainless Fitted (SP150SF)

APPLICATIONS

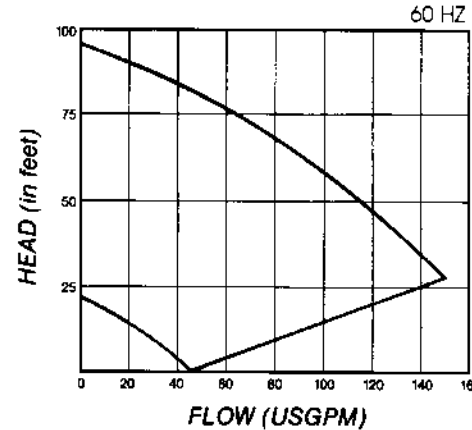
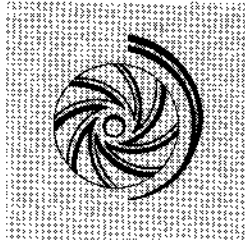
- Ground Water Remediation
- Chemical Sump Pumps
- Filters
- Waste Water Treatment
- Chemical Transfer
- Dewatering
- Pumping Solvents
- Agriculture (Fertilizer, Fumigants, etc)

FEATURES

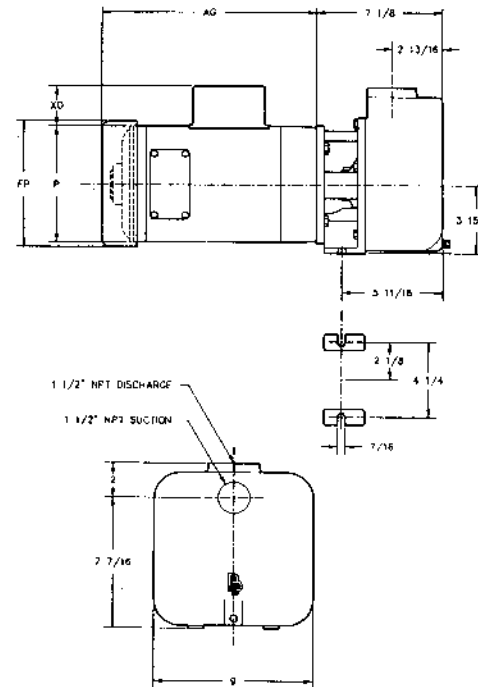
- SIZE: 1 1/2" x 1 1/2" x 4 3/4"
- Compact Close Coupled Design
- Mechanical Seal: 3/4" Type 21 Carbon vs. Ceramic Standard Buna Standard In Cast Iron Viton® Standard in Stainless Steel
- Teflon®, other elastomers, and other seal faces available as options.
- Semi-open impeller.
- Standard NEMA 56C face motors with keyed shafts.
- Open Drip Proof, Totally Enclosed Fan Cooled, and Explosion Proof Motors available from stock.
- Seal flush available.
- Replaceable 316 Stainless Steel Stub Shaft.
- Back Pull Out Design

ALSO AVAILABLE

- FRAME MOUNTED
- AIR MOTOR DRIVE



Curve for reference only. See engineering curves for final selection.



SP150 **DISCHARGE** **SUCTION**
 1 1/2" NPT 1 1/2" NPT

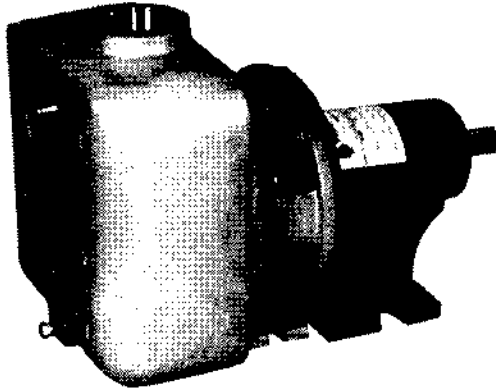
NOTE: Motor dimensions will vary by motor and make. Dimensions are to be used for reference only.

PRICE PUMP CO.

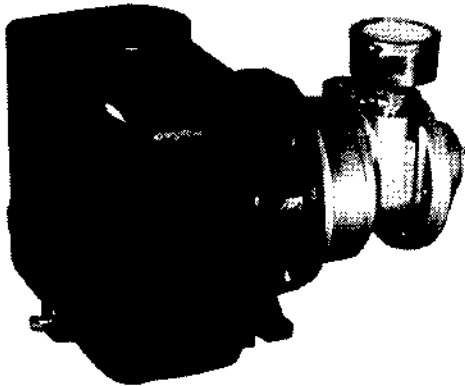
21775 Eighth St. East
 P.O. Box 2
 Sonoma, CA 95476
 (707) 938-8441
 FAX: (707) 938-0764
 www.pricepump.com
 email: sales@pricepump.com

Flow to 150 GPM
Head to 95 ft.

Also Available:



*SP150PSS
Frame Mounted*



*SP150AI
With Air Motor*

Type SP150



TECHNICAL INFORMATION

Min. Recommended Flow/GPM 10 GPM
Max. Solid Size .06"

PRIMING TIMES (Minutes:seconds)

Model #	Impeller Size	5 ft.	10 ft.	15 ft.	20 ft.
SP150 - 42507	4.25/.07	1:30	3:45	6:30	12:25
SP150 - 46312	4.63/.12	1:00	2:25	5:25	10:00
SP150 - 47525	4.75/.25	0:38	1:15	2:48	6:15
SP150 - 47550	4.75/.50	0:20	0:35	1:05	2:25

SUCTION LIFT

For all other impeller sizes interpolate to achieve approximate priming times.

MATERIALS OF CONSTRUCTION

	SP150AI	SP150SS	SP150SF
Volute/Difuser	Cast Iron	316 SS	Cast Iron
Impeller	Cast Iron	316 SS	316 SS
Bracket	Cast Iron	316 SS	Cast Iron
Gasket	Syn. Fiber	Teflon®	Syn. Fiber
Shaft	316 SS	316 SS	316 SS
Fasteners	316 SS	316 SS	316 SS