

Magnetic drive regenerative turbine pump



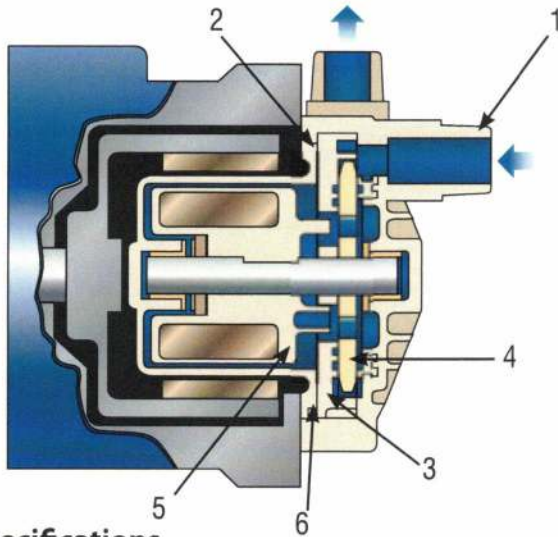
Iwaki America's MDT line of magnet drive regenerative turbine pumps combine the performance of a turbine pump with the benefits of a completely non-metallic liquid end and proven seal-less magnetic drive technology. The pump features high quality injection molded pump end components with precision finish machining to meet the necessary internal construction tolerances of a turbine design. By varying impeller clearances we are able to offer versions for temperatures from 9 °F to 149 °F (-13 °C to 65 °C) and a high temperature option to 203 °F (95 °C) using common casing and drive components. This pump end is coupled with our efficient quality AC motors (with VFD capability) to provide the optimum package for use in applications such as industrial and medical chillers, circulation and filtration, injection and spraying or a host of others where a compact, chemical resistant high pressure solution is needed.

- **Seal-less construction ideal for OEM applications** - Magnetically driven regenerative turbine pump with no shaft seals or associated maintenance required.
- **Compact, robust design** - Ideal for small equipment applications where low flow/high head is required.
- **High pressure and vacuum**- Capable of producing pressures up to 51 psi (.35 MPa) and pulling a vacuum of up to 1.2 psi (8 kPa).
- **Non-metallic construction** - Liquid end parts are all non-metallic and offer excellent chemical resistance (PPS, PEEK, Ceramic and Carbon) allowing the pump to be applied in a wide range of applications.

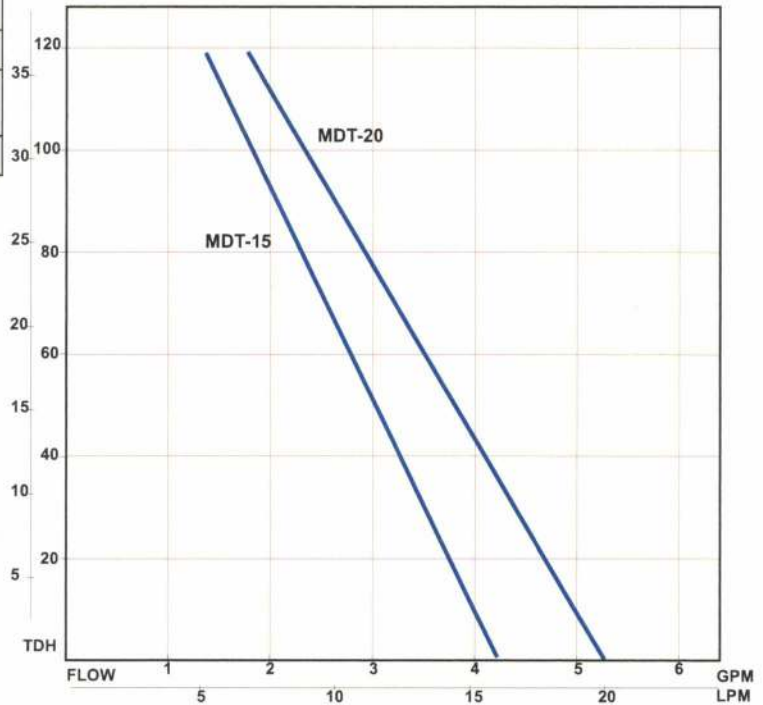


Liquid End Construction

1	Front casing w/ thrust bearing	GFRPPS (Carbon or SiC, CFRPPS)
2	Rear casing w/bearing	GFRPPS (Carbon or SiC)
3	Rear plate	CFRPPS
4	Impeller	CFRPEEK
5	Magnet capsule w/shaft, rear thrust bearing	GFRPPS, Ferrite (Alumina ceramic)
6	O-ring	EPDM



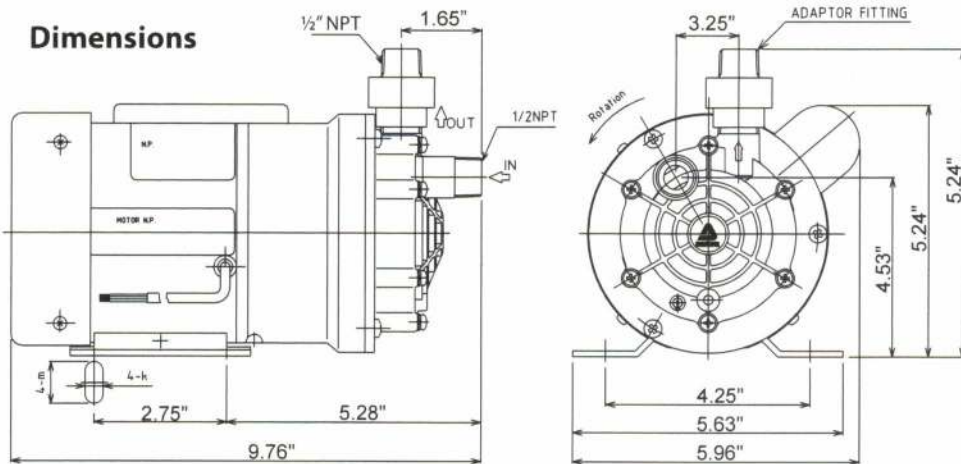
Performance Curves



Specifications

MDT Model	Max Flow @ 50/60 Hz	Max Pressure	Max Vacuum	Motor Power	Liquid temperature	Connection Bore
15L	3.7 / 4.2 GPM	0.35 MPa (51 PSI)	8.00 KPa abs (2.4 in HG)	180/220 W	150°F (65°C) or below	R 1/2 or 1/2 NPT
15H	(14/16 L/min)		9.33 KPa abs (2.8 in HG)		203°F (95°C) or below	
20L	4.5 / 5.3 GPM		8.00 KPa abs (2.4 in HG)		150°F (65°C) or below	
20H	(17/20 L/min)				203°F (95°C) or below	

Dimensions



Model ID Guide

MDT - 15 L C A 100
1 2 3 4 5

1	Type	Max Flow 15 or 20 LPM
2	Liquid Temp	L = 65°C (150°F) H = 95°C (203°F)
3	Bearing Material	C = Carbon D = Siliconized graphite
4	Connection Bore	A = R 1/2 B = 1/2 NPT
5	Motor Voltage	100 = 100V 115 = 115V (60 Hz only) 220 = 220 - 240V 200 = 200V (3ø)
6	Special version Code	