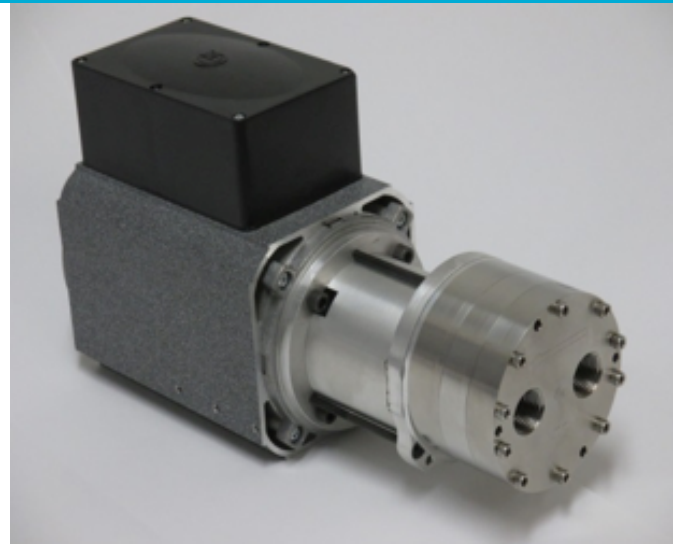


Magnet drive coupled external gear pumps

MTC series

The MTC series of magnetically coupled positive displacement pumps are of robust design for OEM and Process applications. They are designed to pump from 1.5 GPM (5.7 LPM) to 8.5 GPM (32 LPM) at process temperatures from -76°F (-60°C) to 248°F (120°C).

Wetted housing is 316 Stainless Steel with PPS gears and PPS bearings. Optional 6061 Anodized Aluminum housing. Many motor options are available.

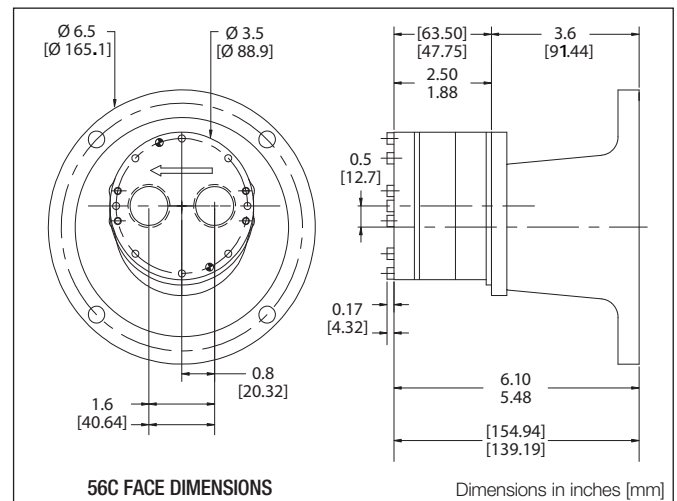


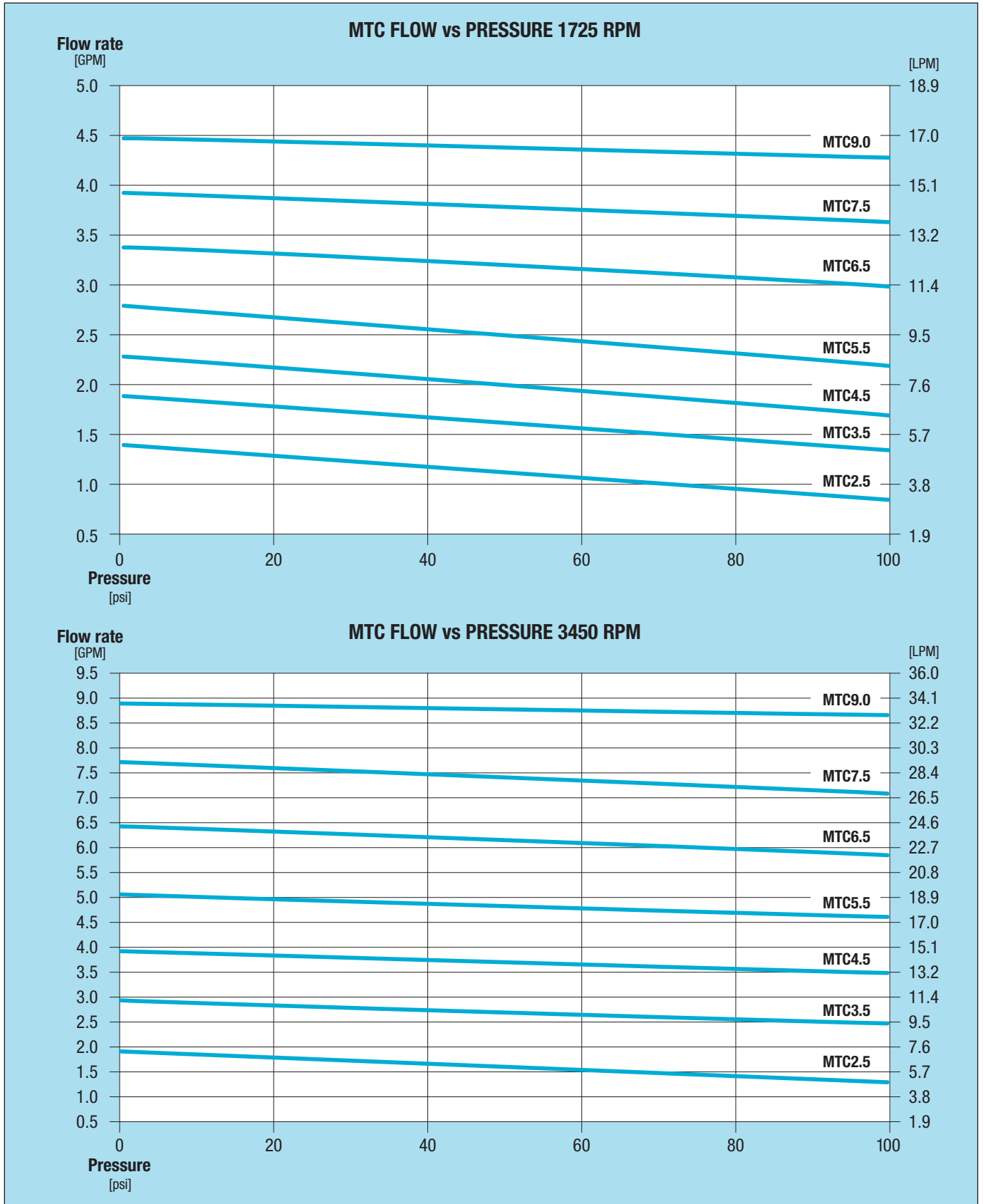
MAIN APPLICATIONS

- X-ray equipment heat transfer fluids
- Semi-conductor process cooling
- Chemical transfer
- Metering
- Water purification
- Process temperature control
- Pumping of most clean or filtered fluids

OPEN FLOW AT 3450 RPM @ 68 °F (20 °C) WITH 1.0 CPS DI WATER

Model	GPM	LPM	ml/rev	Continuous Duty Pressure Limit	
MTC2.5	2.7	10.5	3.0	150 psi	10.34 bar
MTC3.5	3.7	14.0	4.0	125 psi	8.62 bar
MTC4.5	4.6	17.5	5.0	100 psi	6.89 bar
MTC5.5	5.5	21.0	6.0	100 psi	6.89 bar
MTC6.5	6.8	25.8	7.5	100 psi	6.89 bar
MTC7.5	7.9	30.1	8.5	100 psi	6.89 bar
MTC9.0	9.0	34.4	9.5	100 psi	6.89 bar





Fluid-o-Tech reserves the right to alter the specifications indicated in this catalogue at any time and without prior notice.

Fluid-o-Tech srl
 Via Leonardo da Vinci, 40
 20094 Corsico, Milano, Italy
 Tel. +39 02 8917071
 Fax +39 02 89170799
 info@fluidotech.it

Fluid-o-Tech Int'l Inc.
 161 Atwater St.,
 06479 Plantsville CT (USA)
 Tel. +1 (860) 276-9270
 Fax +1 (860) 620-0193
 info@fluid-o-tech.com

Fluid-o-Tech Int'l Inc. Japan
 201, 4-3-10, Todoroki,
 Setagaya, Tokyo 158-082, Japan
 Tel. +81 (0) (3) 6432 1812
 Fax +81 (0) (3) 6432 1813
 erkkato@fluidotech.jp

Fluid-o-Tech Asia (Beijing) Co., Ltd
 Jingwei Industrial Zone,
 Beifang Huairou, Beijing, 101400, PRC
 Tel. +86 (0) (10) 61684650
 Fax +86 (0) (10) 61684651
 info@fluidotech-asia.com