

HP100AB
Shown

Features

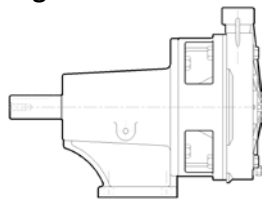
- **Versatility** – Multiple O-ring materials
- **Configuration** – Compact, close coupled design
- **Motor shaft** – Threaded

Applications

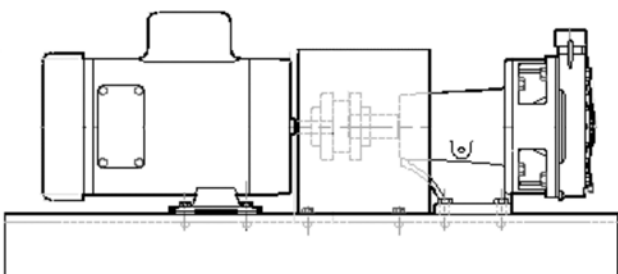
- Chillers / Liquid Cooling
- Chemical Processing
- Booster Pumps
- Water Purification
- Circulation / Filtration
- Air Conditioning / Heat Recovery

Optional Configurations

- **Power Frame Mounting:**



- **Long-Coupled Mounting:**



HP75/100 (O-ring Design)

Pump Volute / Impeller Materials

HP75 (SC) – 316SS / CPVC

HP75 (SS) – 316SS / 316SS

HP75 (AB) – Bronze / Bronze

HP100 (SC) – 316SS / CPVC

HP100 (SS) – 316SS / 316SS

HP100 (AB) – Bronze / Bronze

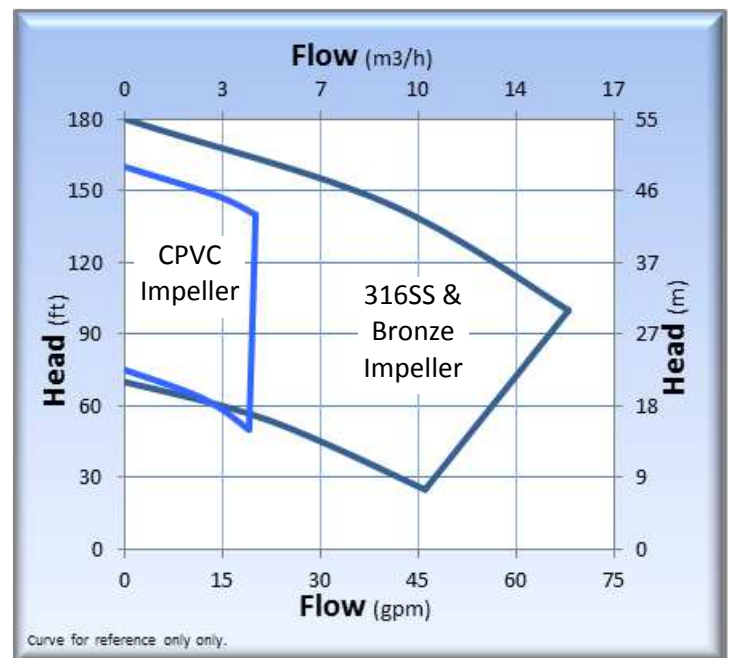
Also Available: **HP75 (NN)** – Noryl / CPVC

*See Separate Sheet: HP75 Noryl (O-ring Design)

Standard Specifications

- HP75 Discharge 3/4" FNPT, Suction 3/4" FNPT
- HP100 Discharge 1" MNPT, Suction 1" FNPT
- Maximum Impeller Diameter: 6.00"
- Motor: NEMA 56J Footless (Multiple enclosures available)
- Mechanical Seal:
 - Single, 5/8" Type 21 Viton, Carbon vs. Ceramic
 - Note: Additional seal options available*
- O-ring Material: Viton (Buna, EPR, Neoprene, & Teflon optional)

Performance Curve – 60 Hz



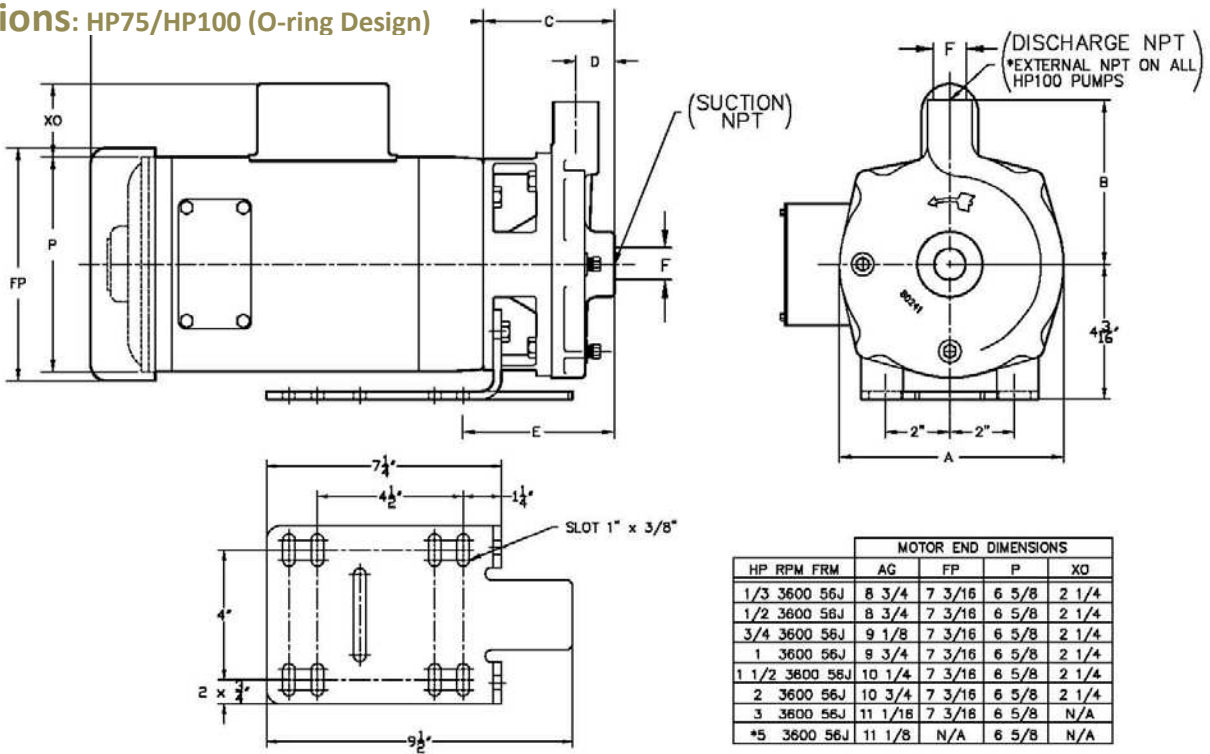
HP75/100 (O-ring Design)

Technical Information	
Max Flow (CPVC Impeller)	20 GPM (4.5 m3/hr)
Max Flow (Metallic Impeller)	68 GPM (15.4 m3/hr)
Max Head	180 feet (55 m)
Min. Flow	0.5 GPM (0.12 m3/hr)
Max Solid Size	0.030" (0.76 mm)
Max (Type 2106 Seal)	150 PSI (10.3 bar)
Working (Type 21 Seal)	150 PSI (10.3 bar)
Pressure (Type 9 Seal)	350 PSI (24.1 bar)
Max Temp. (SC)	140°F (60°C)*
Max Temp. (SS, AB)	300°F (149°C)*

Materials of Construction			
HP	SC	SS	AB
Volute	316SS	316SS	Bronze
Impeller	CPVC	316SS	Bronze
Bracket	316SS	316SS	Bronze
Fasteners	316SS	316SS	18-8 SS
O-ring	Viton (Buna, EPR, Neoprene, & Teflon optional)		

* Temperature limits are based on standard seal and O-ring materials, and will vary according to the liquid being pumped.

Dimensions: HP75/HP100 (O-ring Design)



MATERIAL	MODEL	A	B	C	D	E	F
SS	HP75SS/HP75SC	6 15/16	5 1/8	4 1/8	1 1/8	4 7/8	3/4
BRONZE	HP75AB	6 15/16	5 1/8	4 1/8	1 1/8	4 7/8	3/4
SS	HP100SS/HP100SC	6 15/16	5	4 1/8	1 1/8	4 7/8	1
BRONZE	HP100AB	6 15/16	5	4 1/8	1 1/8	4 7/8	1

NOTE:
ALL DIMENSIONS ARE ROUNDED TO THE NEAREST 1/16 INCH.

NOTE:
MOTOR DIMENSIONS WILL VARY BY MODEL AND MAKE. DIMENSIONS ARE TO BE USED FOR REFERENCE ONLY.
* 3PH OPEN DRIP PROOF ONLY



Contact factory for special pump configurations,
same day, and next day delivery options.

21775 Eighth Street East
Sonoma, CA 95476-0329

MAIN (707) 938-8441
TOLL FREE (800) 345-7867
FAX (707) 938-0764

E-mail: sales@pricepump.com
Website: www.pricepump.com

Price Pump Co.

21775 Eighth Street East * Sonoma, CA 95476-0329 * (707) 938-8441 * Fax (707) 938-0764



Rev. C Date: June 2015