



6MS100VSSRF  
Shown

## MS50V/ 100V

### Pump Construction (All Stainless)

- 1MS50V/100V (SS) – (one-stage)
- 2MS50V/100V (SS) – (two-stages)
- 3MS50V/100V (SS) – (three-stages)
- 4MS50V/100V (SS) – (four-stages)
- 5MS50V/100V (SS) – (five-stages)
- 6MS50V/100V (SS) – (six-stages)

### Standard Specifications

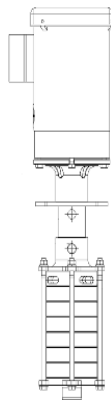
- MS50V Discharge 1/2" O-ring Socket, Suction 1/2" x 1-1/2" Slots
- MS100V Discharge 1" O-ring Socket, Suction 1/2" x 1-1/2" Slots
- Maximum Impeller Diameter: 4.12"
- Stub Shaft: 5/8" 316SS (7/8" Optional)
- Motor: NEMA C Face (Multiple enclosures available)
- Bushing: Graphite (Glass Filled optional)
- Bracket Material: 316SS
- O-rings: Viton, (Call for other options)
- Fume Barrier: Viton

### Features

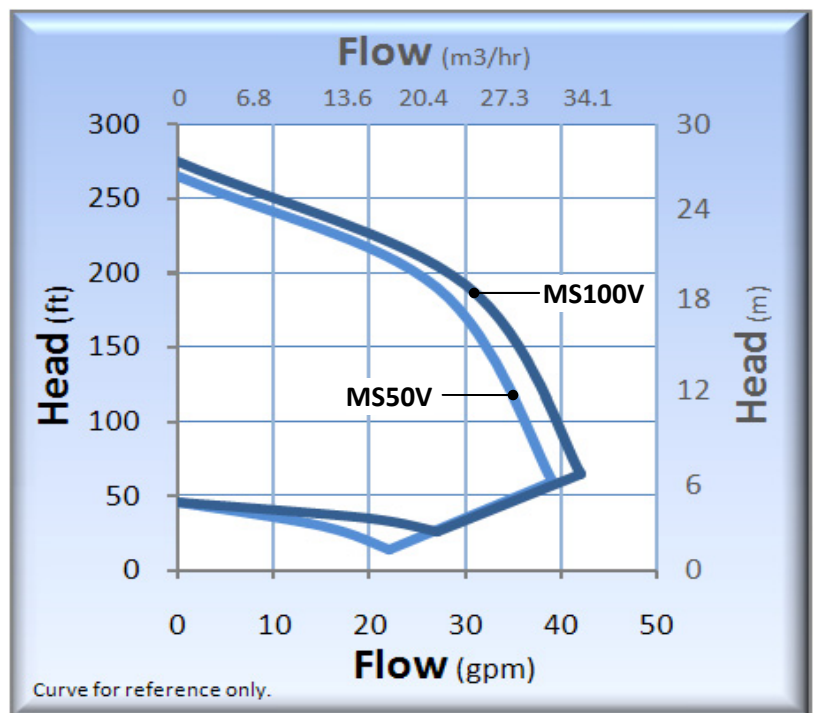
- **Pump Design** – Vertical
- **Flow Design** – Reverse Flow
- **Stub Shaft** – Replaceable 316SS

### Applications

- Deionized Water
- Laser System Cooling
- Ultrafiltration Systems
- Reverse Osmosis Systems
- Booster Pumps
- Acid Handling



### Performance Curve – 60 Hz



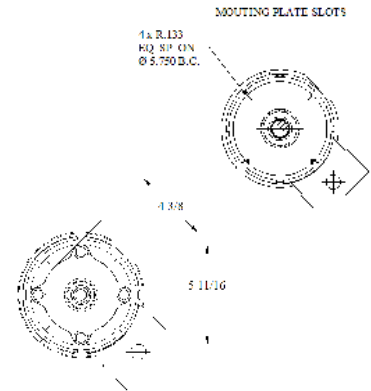
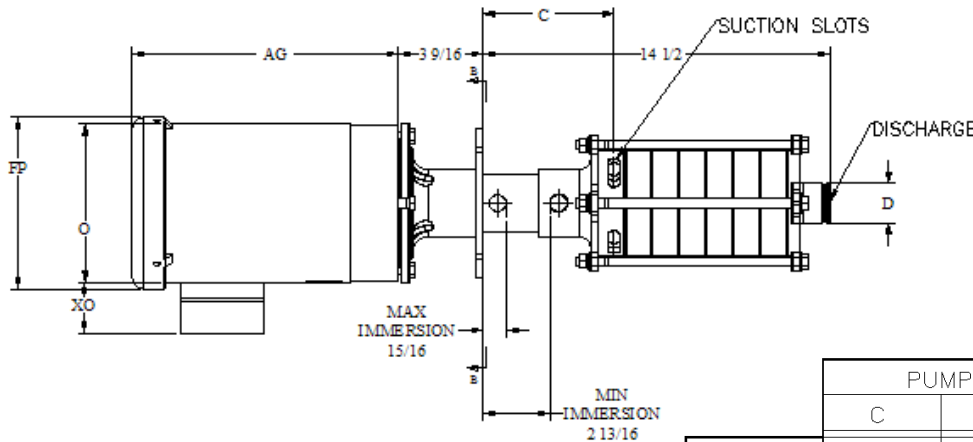
# MS50V/100V

Technical Information	
Max Flow	42 GPM (9.5 m3/hr)
Max Head	275 feet (83.8 m)
Min. Flow	0.5 GPM (0.1 m3/hr)
Max Solid Size	0.030" (0.76 mm)
Max Working Pressure	300 PSI (20.7 bar)
Max Temp.	300°F (149°C)*

\* Temperature limits are based on standard seal and O-ring materials, and will vary according to the liquid being pumped.

Materials of Construction	
MS50V/100V	SS
Volute / Suction Plate	316 Stainless Steel
Impeller	316 Stainless Steel
Diffusers	316 Stainless Steel
Stage Separators	316 Stainless Steel
Bracket	316 Stainless Steel
O-rings	Viton (Fluorocarbon)
Fasteners	316 Stainless Steel

## Dimensions (MS50)



MOTOR END DIMENSIONS						
HP	RPM	FRM	AG	FP	Q	XO
1/4	1800	56C	7 3/4	6 1/8	5 3/8	2 1/16
1/3	1800	56C	6 1/4	6 1/8	5 3/8	2 1/16
1/2	1800	56C	6 3/4	6 1/8	5 3/8	2 1/16
1/3	3600	56C	6 1/2	6 1/8	5 3/8	2 1/16
1/2	3600	56C	6 3/4	6 1/8	5 3/8	2 1/16
3/4	3600	56C	9 1/4	6 1/8	5 3/8	2 1/16
1	3600	56C	9 3/4	6 1/8	5 3/8	2 1/16
1 1/2	3600	56C	10 1/2	7 3/16	6 7/8	2 1/4
2	3800	56C	11 1/8	7 3/16	6 7/8	2 1/4
3	3800	56C	12 3/8	7 3/16	6 7/8	2 1/4
5	3600	184C	13 5/8	8 1/2	7 7/8	2 1/4

	PUMP END DIMENSIONS			
	C	D	SUCTION	DISCHG
1MS50VSSRF	11 1/8"	.78	1/2" x 1 1/2"	1/2"
2MS50VSSRF	10"	.78	1/2" x 1 1/2"	1/2"
3MS50VSSRF	8 7/8"	.78	1/2" x 1 1/2"	1/2"
1MS100VSSRF	11 1/8"	1.642	1/2" x 1 1/2"	1"
2MS100VSSRF	10"	1.642	1/2" x 1 1/2"	1"
3MS100VSSRF	8 7/8"	1.642	1/2" x 1 1/2"	1"
4MS50VSSRF	7 3/4"	.780	1/2" x 1-1/2"	1/2"
5MS50VSSRF	6 5/8"	.780	1/2" x 1-1/2"	1/2"
6MS50VSSRF	5 1/2"	.780	1/2" x 1-1/2"	1/2"
4MS100VSSRF	7 3/4"	1.642	1/2" x 1-1/2"	1"
5MS100VSSRF	6 5/8"	1.642	1/2" x 1-1/2"	1"
6MS100VSSRF	5 1/2"	1.642	1/2" x 1-1/2"	1"

NOTE: MOTOR DIMENSIONS WILL VARY BY MODEL AND MAKE; DIMENSIONS ARE TO BE USED FOR REFERENCE ONLY.

NOTE: ALL DIMENSIONS ARE ROUNDED TO THE NEAREST 1/16 INCH.



Contact factory for special pump configurations, same day, and next day delivery options.

21775 Eighth Street East  
 Sonoma, CA 95476-0329  
 MAIN (707) 938-8441  
 TOLL FREE (800) 345-7867  
 FAX (707) 938-0764  
 E-mail: [sales@pricepump.com](mailto:sales@pricepump.com)  
 Website: [www.pricepump.com](http://www.pricepump.com)



Rev. Date: May 2009