



OH75CP  
Shown

## Features

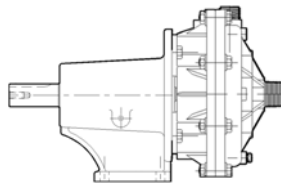
- **Pump Design** – Compact, close coupled
- **Pump Body** – Non-metallic
- **Flush Options** – Recirculating & Internal

## Applications

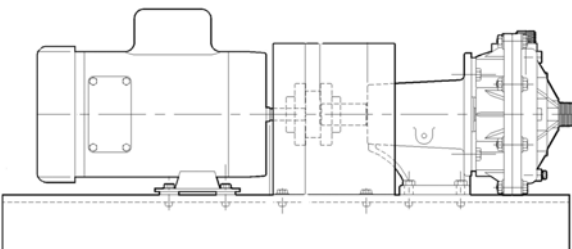
- Photo Processing
- Metal Etching
- Acid Transfer
- Water Treatment Systems
- Fume Scrubbing Filtering
- D.I. Water
- Chillers
- Sump Pumping

## Optional Configurations

- **Power Frame Mounting:**



- **Long-Coupled Mounting:**



## OH75

### Pump Volute / Impeller Materials

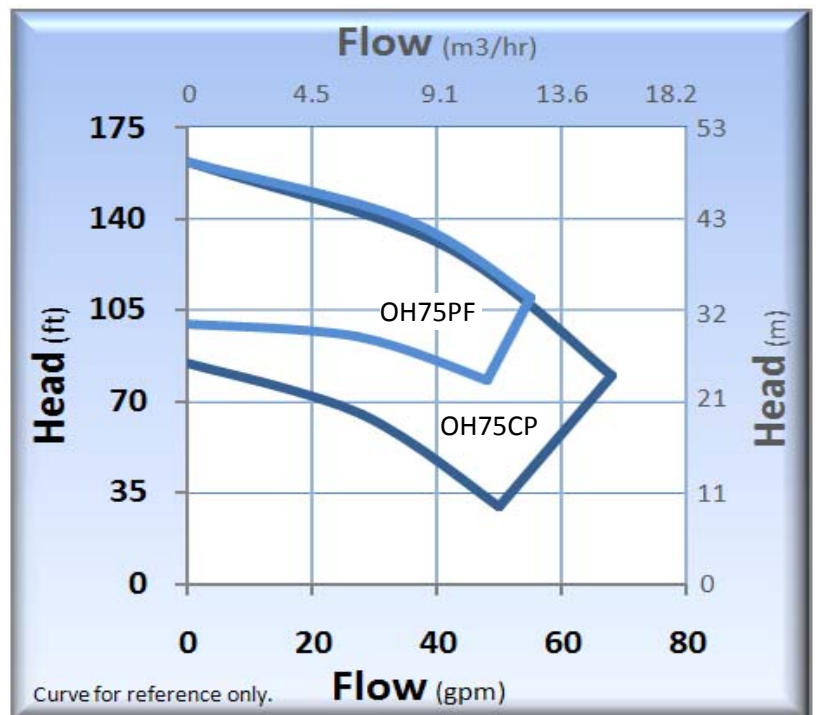
**OH75 (CP)** – CPVC / CPVC

**OH75 (PF)** – PVDF / PVDF

## Standard Specifications

- OH75 Discharge 3/4" MNPT, Suction 1" MNPT
- OH75(CP) Maximum Impeller Diameter: 6.12"
- OH75(PF) Maximum Impeller Diameter: 6.03"
- Motor: NEMA C Face (Multiple enclosures available)
- Mechanical Seal:
  - Single, 1" Type 36 Viton, Carbon vs. Ceramic
  - Note: Additional seal options available*
- Bracket Material: (CP) CPVC, (PF) PVDF
- O-ring: Viton (EPR optional)

## Performance Curve – 60 Hz



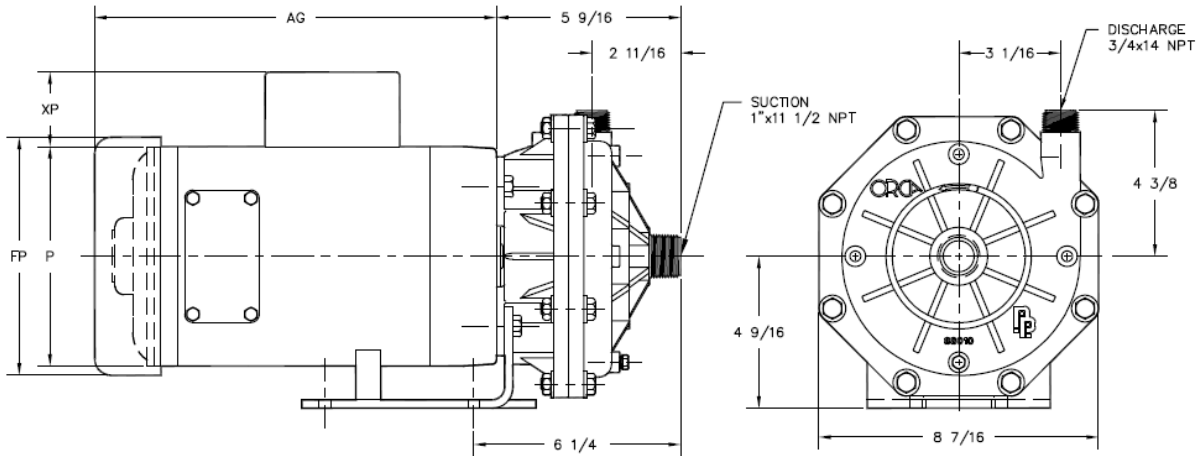
# OH75

Technical Information	
Max Flow (OH75CP)	68 GPM (15.4 m3/hr)
Max Flow (OH75PF)	55 GPM (12.5 m3/hr)
Max Head	160 feet (48.8 m)
Min. Flow	7 GPM (1.6 m3/hr)
Max Solid Size	0.150" (3.81 mm)
Max Working Pressure	(Type 21 Seal) 150 PSI (10.3 bar)
	(Type 36 Seal) 125 PSI (8.6 bar)
Max Temp. (OH75CP)	140°F (60°C)*
Max Temp. (OH75PF)	260°F (127°C)*

Materials of Construction		
OH75	CP	PF
Volute	CPVC	PVDF
Impeller	CPVC	PVDF
Bracket	CPVC	PVDF
Gasket	Viton®	Viton®
Fasteners	316SS	316SS

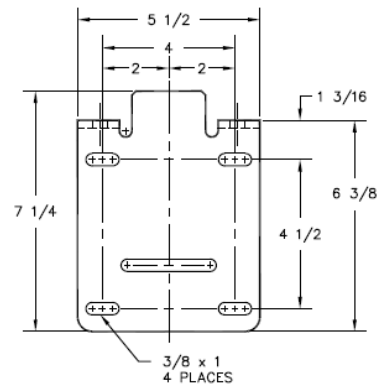
\* Temperature limits are based on standard seal and gasket materials, and will vary according to the liquid being pumped.

## Dimensions (OH75)



MOTOR END DIMENSIONS					
HP	RPM	FRM	AG	FP	XP
1/4	1800	56C	7 3/4	7 3/16	6 7/8
1/3	1800	56C	8 1/4	7 3/16	6 7/8
1/2	1800	56C	8 3/4	7 3/16	6 7/8
1/3	3600	56C	8 1/2	7 3/16	6 7/8
1/2	3600	56C	8 3/4	7 3/16	6 7/8
3/4	3600	56C	9 1/4	7 3/16	6 7/8
1	3600	56C	9 3/4	7 3/16	6 7/8
1 1/2	3600	56C	10 1/2	7 3/16	6 7/8
2	3600	56C	11 1/8	7 3/16	6 7/8
3	3600	56C	12 3/8	7 3/16	6 7/8

NOTE:  
MOTOR DIMENSIONS WILL VARY BY MODEL AND MAKE.  
DIMENSIONS ARE TO BE USED FOR REFERENCE ONLY.



NOTES:  
1. PUMP MATERIAL; CHLORINATED POLYVINYL CHLORIDE (CPVC) OR POLYVINYLIDENE FLOURIDE (PVDF).  
2. ALL DIMENSIONS ARE ROUNDED TO THE NEAREST 1/8 INCH.



**Contact factory for special pump configurations,  
same day, and next day delivery options.**



21775 Eighth Street East  
Sonoma, CA 95476-0329  
MAIN (707) 938-8441  
TOLL FREE (800) 345-7867  
FAX (707) 938-0764  
E-mail: [sales@pricepump.com](mailto:sales@pricepump.com)  
Website: [www.pricepump.com](http://www.pricepump.com)



Rev. Date: July 2012