



Features

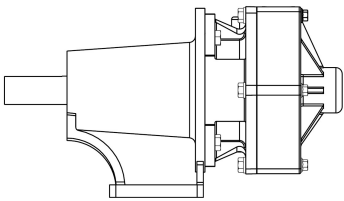
- **Pump Design** – Compact, close coupled
- **Pump Body** – Non-metallic
- **Protective Impeller**- Dry motor shaft
- **Flush Options** – Recirculating & Internal

Applications

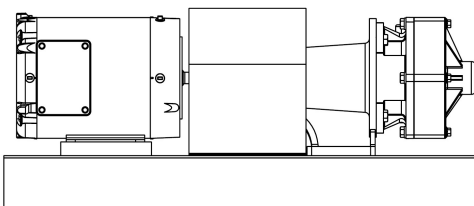
- Marine R.O. systems
- Water Treatment Systems
- Fume Scrubbing Filtering
- D.I. Water
- Chillers
- Finished Chemical Transfer

Optional Configurations

- **Power Frame Mounting:**



- **Long-Coupled Mounting:**



RP75

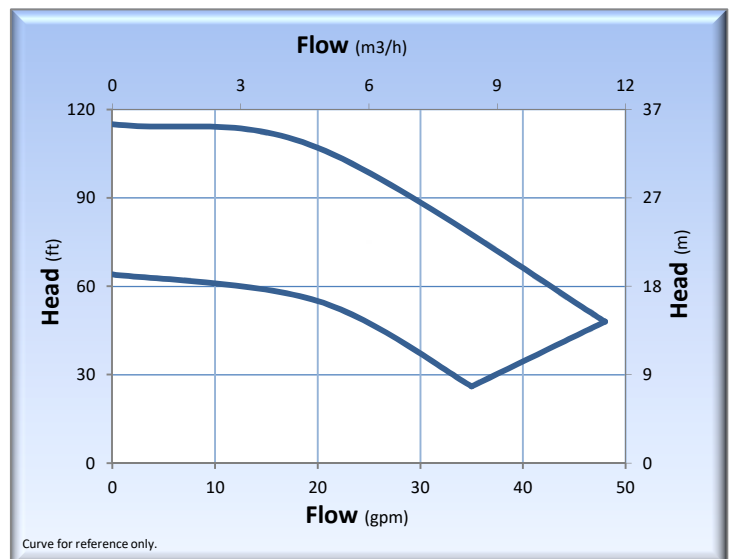
Pump Volute / Impeller Materials

RP75 (NN) – NORYL® (30% Glass Filled) / CPVC

Standard Specifications

- Discharge 3/4" FNPT, Suction 3/4" FNPT
- Maximum Impeller Diameter: 5.12"
- Motor: NEMA C Face (Multiple enclosures available)
- Mechanical Seal:
 - Single, 1" Type 36 EPR, Carbon vs. Ceramic
 - Note: Type 21 seal available*
- Bracket Material: NORYL®
- O-ring: EPR (Viton® optional)

Performance Curve – 60 Hz



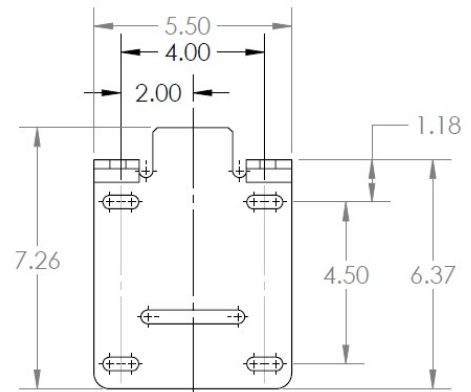
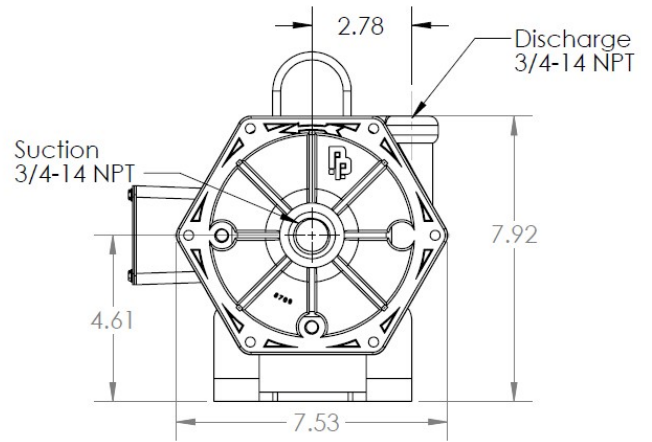
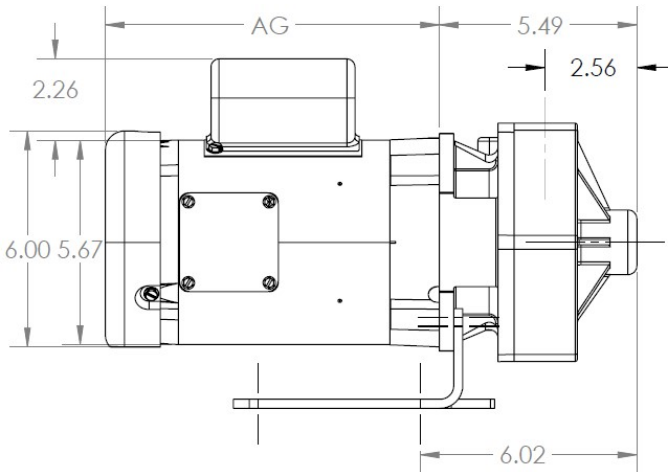
RP75

Technical Information	
B.E.P Flow	37 GPM (8.40 m ³ /hr)
MAX Runout Flow	44 GPM (10.0 m ³ /hr)
Max Head	110 feet (33.5 m)
Min. Flow	2 GPM (1.1 m ³ /hr)
Max Solid Size	0.150" (3.81 mm)
Max Working Pressure	(Type 21 Seal) 115 PSI (7.93 bar) Or (Type 36 Seal) 75 PSI (5.2 bar)
Max Temp. (RP75NN)	160°F (71°C)*

Materials of Construction	
RP75	NN
Volute	NORYL®
Impeller	CPVC
Bracket	NORYL®
Elastomers	EPR
Fasteners	Stainless Steel

* Temperature limits are based on standard seal and gasket materials, and will vary according to the liquid being pumped.

Dimensions



HP	RPM	FRM	AG
1/4	1800	56C	7-3/4
1/3	1800	56C	8-1/4
1/2	1800	56C	8-3/4
1/3	3600	56C	8-1/2
1/2	3600	56C	8-3/4
3/4	3600	56C	9-1/4
1	3600	56C	9-3/4
1 1/2	3600	56C	10-1/2
2	3600	56C	11-1/8

NOTE:
1. MOTOR DIMENSIONS WILL VARY BY MODEL AND MAKE. DIMENSIONS ARE TO BE USED FOR REFERENCE ONLY

PRICE PUMP CO.

21775 Eighth Street East
Sonoma, CA 95476-0329
MAIN (707) 938-8441
TOLL FREE (800) 345-7867
FAX (707) 938-0764
E-mail: sales@pricepump.com
Website: www.pricepump.com

Contact factory for special pump configurations,
same day, and next day delivery options.

Member of:
Hydraulic INSTITUTE

