

Design Features

- Dry pump cavity
- Self-priming operation
- Runs dry without damage
- Complete isolation of fluid pumped
- Heavy-duty roller bearings
- Variety of pump configurations, flows, and pressure ratings
- No dynamic seals, cups or packing to leak, wear or replace
- Reversible flow
- Low maintenance

Materials of Construction

Non-wetted Parts

Casing: Aluminum Alloy

Rotor: Aluminum Alloy

Rollers: Plastic/Alloy

Wetted Parts

Hose:

EXTRUDED – Neoprene, Hypalon, Varpene, Silicone

BRAIDED – Natural Rubber, EPDM, Nitrile Rubber

Inlet/Outlet Connections:

PTFE or Stainless Steel Hose Barb, Stainless Steel or Carbon

Steel ANSI Flange, Brass or Carbon Steel NPT, and Stainless

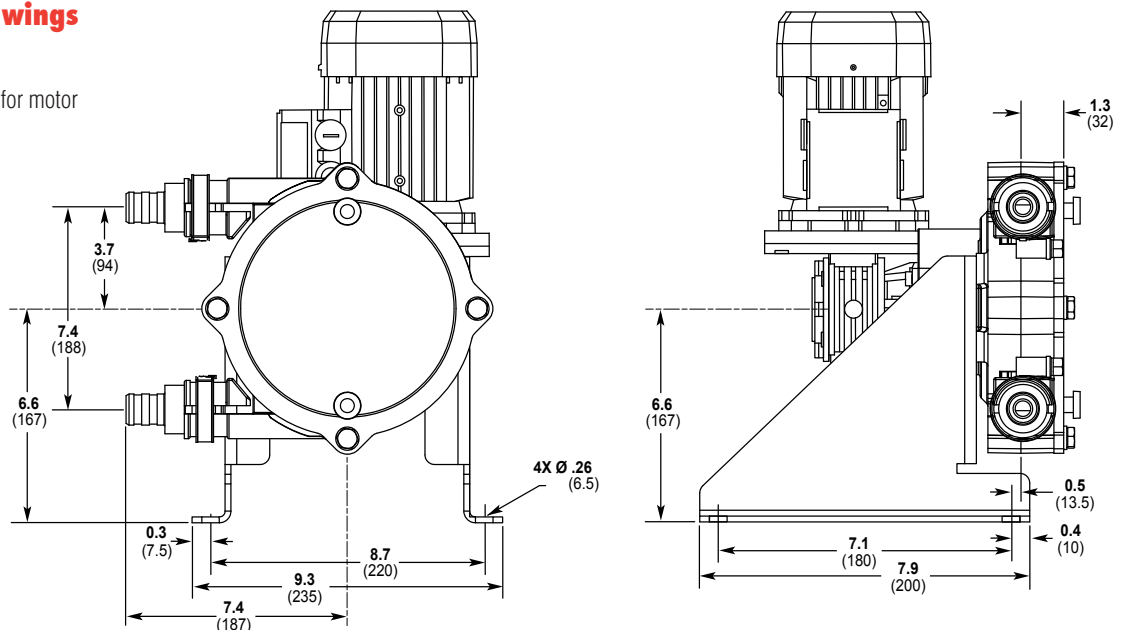
Steel Sanitary Tri-clamp



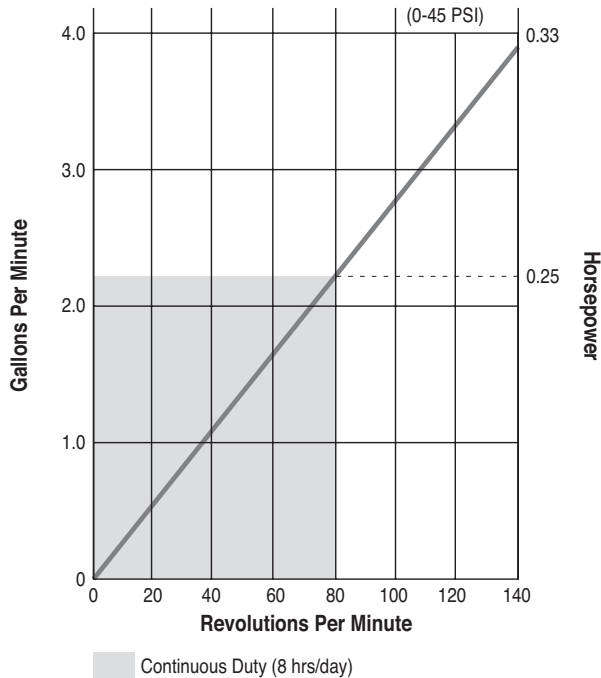
Dimensional Drawings

Inches (mm)

See Ordering Information for motor and gearbox sizes



Performance



Fluid Characteristics

Viscosity:	15,000 cps max.
Liquid Temperature:	180°F (82°C) max.
Solid Size:	(see page 4)
Fiber Length:	11/16 inch (17.4 mm) max.

Specifications

Discharge Pressure:	45 psig (3 bar) max.
Suction Lift:	14 ft. (4.3 m)
Suction Pressure:	18 psig (1.2 bar) max.
Horsepower*:	1/3 max.
Hose Size:	17 x 31 x 590 mm
Displacement:	0.0286 gal/rev
Weight (pump only):	20 lbs. (9 kg)
Weight (with drive):	34 lbs. (15.5 kg)

* Pumps are shaft driven and require a gearbox and motor. See Ordering Information for details.

Model 2004 Ordering Information

A complete Vector pump order number uses a 9-character order code to identify the desired hose, fittings and drive. Select the appropriate items from the chart below and use the order code from each group to complete the pump assembly order number.

1	2	3	4	5	6	7	8	9	10
2	0	0	4						

Order Digit	Order Code	Description
1-4	2004	Pump Designation Model 2004 Shaft Drive Pump
5-6		Hose Material/Type
	EF	EPDM, fiber-braided
	HE	Hypalon, extruded
	MF	Natural Rubber, fiber-braided, heavy-duty
	NF	Natural Rubber, fiber-braided
	PE	Neoprene, extruded
	SE	Silicone, extruded
	OF	Nitrile, Oil-rated, fiber-braided, heavy-duty
	VE	Varprene, extruded
7-8		Connector Material/Style
	AA	PTFE, 1" hose barb
	CC	316 SST, Sanitary, 1" tri-clamp
	EE	Carbon Steel, 3/4" male NPT
	FF	Brass, 3/4" hose barb
	GG	Brass, 3/4" male NPT
	SS	316 SST, 3/4" hose barb
	TT	316 SST, 3/4" male NPT
9-10		Drive
		Flow GPM
		Gear Ratio
		Pump RPM
		Max Psig
		30, 1/3 BHP TEFC, 230/460 VAC, 60 Hz
		10:1 Constant Torque Speed Range
	B2	0.49 100:1 17.2 30(45) ¹
	D2	0.69 70:1 24 30(45) ¹
	F2	0.86 60:1 30 30(45) ¹
	H2	1.00 46:1 37.5 30(45) ¹
	J2	1.43 35:1 50 25(30) ¹
	L2	1.75 28:1 61 22(25) ¹
	N2	2.52 20:1 88 18(21)
	A	No Drive

¹() Heavy-duty, fiber-braided hose

Note: 10 motors also available. Contact Wanner Engineering.