

Design Features

- Dry pump cavity
- Self-priming operation
- Runs dry without damage
- Complete isolation of fluid pumped
- Heavy-duty roller bearings
- Variety of pump configurations, flows, and pressure ratings
- No dynamic seals, cups or packing to leak, wear or replace
- Reversible flow
- Low maintenance

Materials of Construction

Non-wetted Parts

Casing: Aluminum Alloy

Rotor: Aluminum Alloy

Rollers: Plastic/Alloy

Wetted Parts

Hose:

EXTRUDED – Neoprene, Varprene

BRAIDED – EPDM, Hypalon, Nitrile Rubber, Natural Rubber
(regular and heavy-duty)

Inlet/Outlet Connections:

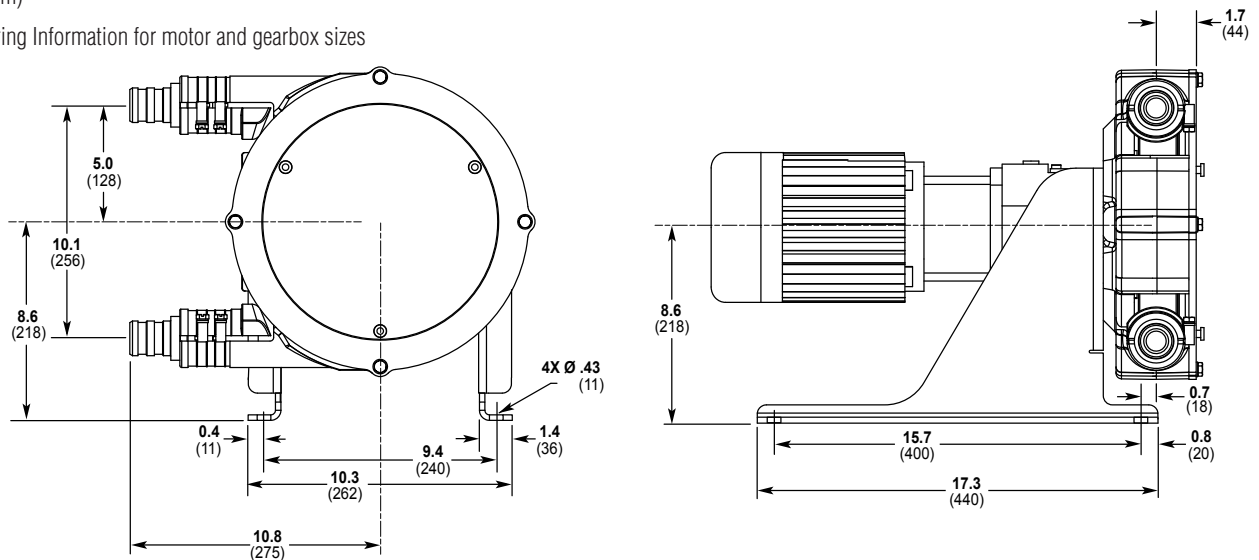
PTFE or Stainless Steel Hose Barb, Stainless Steel or Carbon
Steel ANSI Flange, PTFE NPT, and Stainless Steel Sanitary
Tri-clamp



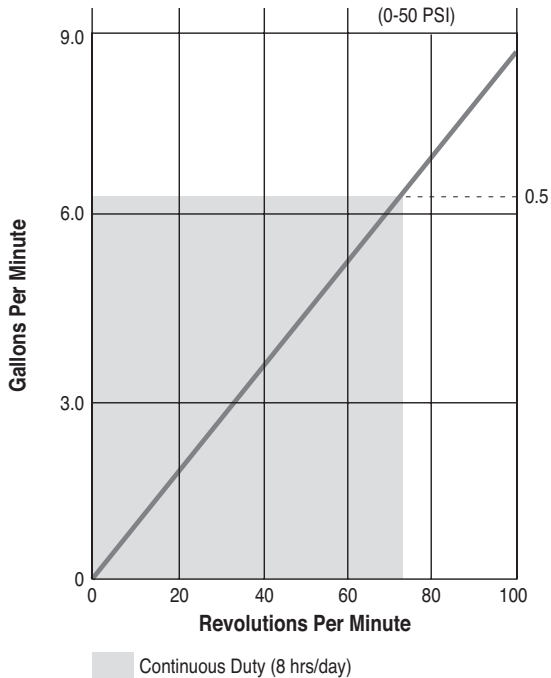
Dimensional Drawings

Inches (mm)

See Ordering Information for motor and gearbox sizes



Performance



Fluid Characteristics

Viscosity:	15,000 cps max.
Liquid Temperature:	180°F (82°C) max.
Solid Size:	(see page 4)
Fiber Length:	1-1/4 inch (31.7 mm) max.

Specifications

Discharge Pressure:	50 psig (3.4 bar) max.
Suction Lift:	16.5 ft. (5 m)
Suction Pressure:	25 psig (1.7 bar) max.
Horsepower*:	3/4 max.
Hose Size:	25 x 43 x 860 mm
Displacement:	0.085 gal/rev (0.032 l/rev)
Weight (pump only):	40 lbs. (18 kg)
Weight (with drive):	83 lbs. (38 kg)

* Pumps are shaft driven and require a gearbox and motor.
See Ordering Information for details.

Model 2005 Ordering Information

A complete Vector pump order number uses a 9-character order code to identify the desired hose, fittings and drive. Select the appropriate items from the chart below and use the order code from each group to complete the pump assembly order number.

1	2	3	4	5	6	7	8	9	10
2	0	0	5	-		-		-	

Horsepower

Order Digit	Order Code	Description
1-4	2005	Pump Designation Model 2005 Shaft Drive Pump
5-6		Hose Material/Type
	EF	EPDM, fiber-braided
	HF	Hypalon, fiber-braided
	MF	Natural Rubber, fiber-braided, heavy-duty
	NF	Natural Rubber, fiber-braided
	OF	Nitrile, Oil-rated, fiber-braided, heavy-duty
	PE	Neoprene, extruded (30 psig max.)
	VE	Varpene, extruded (30 psig max.)
7-8		Connector Material/Style
	AA	PTFE, 1-1/4" hose barb
	BB	316 SST, 1" ANSI flange
	CC	316 SST, Sanitary, 1-1/2" tri-clamp
	EE	Carbon Steel, 1" male NPT
	HH	PTFE, 1" male NPT
	SS	316 SST, 1" hose barb
9-10		Drive
		Flow GPM Gear Ratio Pump RPM Max Psig
		3Ø, 1/2 BHP TEFC, 230-460 VAC, 60 Hz
		4:1 Constant Torque Speed Range
	B2	1.7 85:1 20 37(50) ¹
	D2	2.5 56:1 30 37(50) ¹
	F2	3.2 45:1 38 37(45) ¹
	H2	3.8 37:1 46 37(43) ¹
		3Ø, 3/4 BHP TEFC, 230-460 VAC, 60 Hz
		4:1 Constant Torque Speed Range
	J2	5.9 24:1 70 29(32) ¹
	A	No Drive

¹() Heavy-duty, fiber-braided hose