

Design Features

- Dry pump cavity
- Self-priming operation
- Runs dry without damage
- Complete isolation of fluid pumped
- Heavy-duty roller bearings
- Variety of pump configurations, flows, and pressure ratings
- No dynamic seals, cups or packing to leak, wear or replace
- Reversible flow
- Low maintenance

Materials of Construction

Non-wetted Parts

Casing: Aluminum Alloy

Rotor: Aluminum Alloy

Rollers: Aluminum Alloy

Wetted Parts

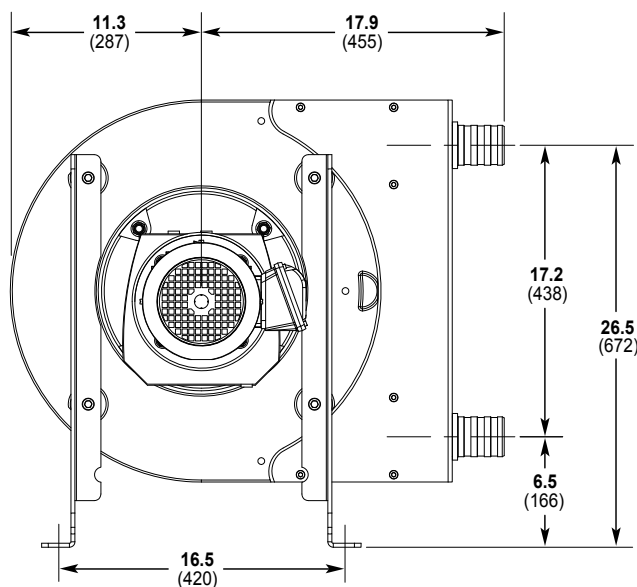
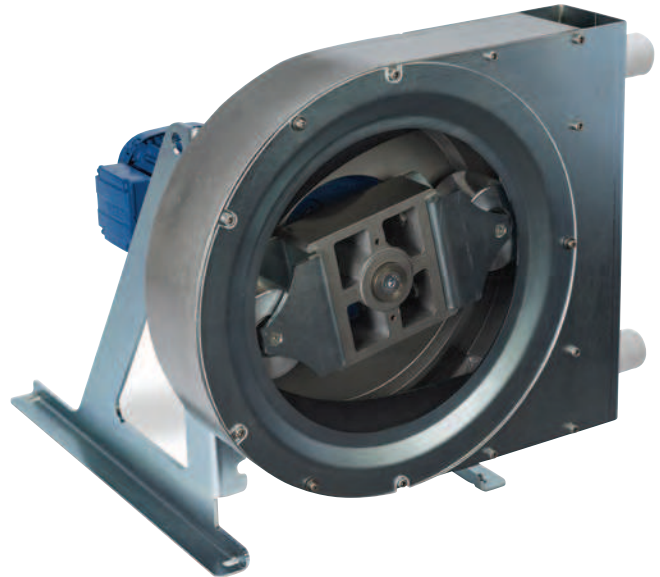
Hose:

EXTRUDED – Varprene

BRAIDED – EPDM, Hypalon, Nitrile Rubber, Natural Rubber
(regular and heavy-duty)

Inlet/Outlet Connections:

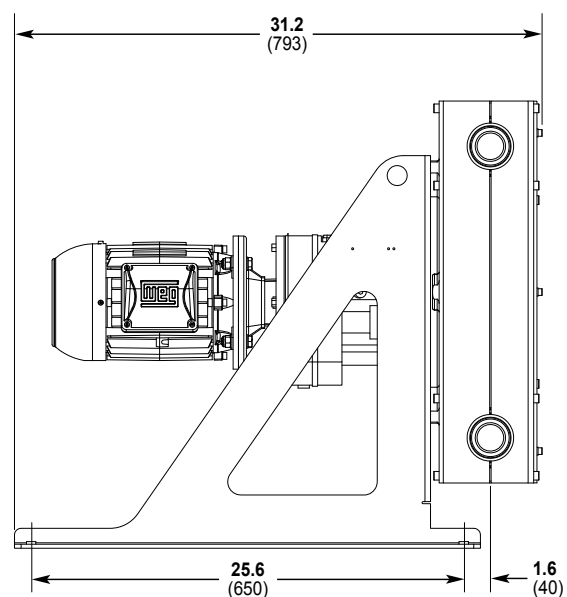
PTFE or Stainless Steel Hose Barb, Stainless Steel or Carbon
Steel ANSI Flange, PTFE NPT, and Stainless Steel Sanitary
Tri-clamp



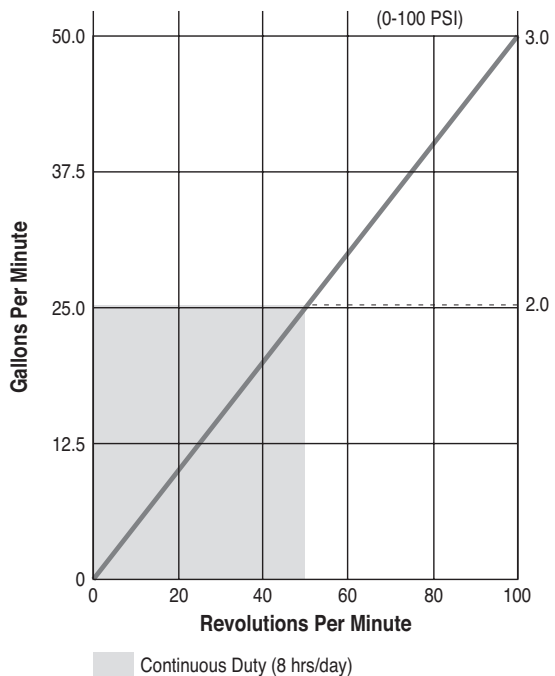
Dimensional Drawings

Inches (mm)

See Ordering Information for motor and gearbox sizes



Performance



Fluid Characteristics

Viscosity:	15,000 cps max.
Liquid Temperature:	180°F (82°C) max.
Solid Size:	(see page 4)
Fiber Length:	2-3/8 inch (60 mm) max.

Specifications

Discharge Pressure:	100 psig (7 bar) max.
Suction Lift:	24 ft. (7.3 m)
Suction Pressure:	25 psig (1.7 bar) max.
Horsepower:*	3 max.
Hose Size:	45 x 75 x 1455 mm
Displacement:	0.51 gal/rev
Weight (pump only):	185 lbs. (84 kg)
Weight (with drive):	275 lbs. (125 kg)

* Pumps are shaft driven and require a gearbox and motor.
See Ordering Information for details.

Model 2007 Ordering Information

A complete Vector pump order number uses a 9-character order code to identify the desired hose, fittings and drive. Select the appropriate items from the chart below and use the order code from each group to complete the pump assembly order number.

1	2	3	4	5	6	7	8	9	10
2	0	0	7						

Horsepower

Order Digit	Order Code	Description
1-4	2007	Pump Designation Model 2007 Shaft Drive Pump
5-6		Hose Material/Type
	EF	EPDM, fiber-braided
	HF	Hypalon, fiber-braided
	MF	Natural Rubber, fiber-braided, heavy-duty (100 psig max.)
	NF	Natural Rubber, fiber-braided
	OF	Nitrile, Oil-rated, fiber-braided, heavy-duty (100 psig max.)
	VE	Varprene, extruded (30 psig max.)
7-8		Connector Material/Style
	AA	PTFE, 2" hose barb (60 psig max.)
	BB	316 SST, 2" ANSI flange
	CC	316 SST, Sanitary, 2" tri-clamp
	DD	Carbon Steel, 2" ANSI flange
	EE	Carbon Steel, 2" male NPT
	HH	PTFE, 2" male NPT (60 psig max.)
	SS	316 SST, 2.5" hose barb
9-10		Drive
		Flow GPM Gear Ratio Pump RPM Max Psig
		3Ø, 1-1/2 BHP TEFC, 230-460 VAC, 60 Hz
		4:1 Constant Torque Speed Range
	B2	7.1 121:1 14 45(100) ¹
	D2	10.5 82:1 21 45(100) ¹
		3Ø, 2 BHP TEFC, 230-460 VAC, 60 Hz
		4:1 Constant Torque Speed Range
	F2	15.3 58:1 30 45(100) ¹
	H2	20.4 43:1 40 45(80) ¹
	J2	25.8 33:1 51 40(60) ¹
		3Ø, 3 BHP TEFC, 230-460 VAC, 60 Hz
		3:1 Constant Torque Speed Range
	L2	40.5 21:1 80 35(45) ¹
	A	No Drive

¹() Heavy-duty, fiber-braided hose