

### Design Features

- Dry pump cavity or lubricant-filled
- Self-priming operation
- Runs dry without damage
- Complete isolation of fluid pumped
- Heavy-duty roller bearings
- Variety of pump configurations, flows, and pressure ratings
- No dynamic seals, cups or packing to leak, wear or replace
- Reversible flow
- Low maintenance

### Materials of Construction

#### Non-wetted Parts

Casing: Aluminum Alloy

Rotor: Aluminum Alloy

Rollers: Steel

#### Wetted Parts

Hose:

BRAIDED – Hypalon, EPDM, Natural Rubber (regular and heavy-duty), Oil-rated Nitrile

Inlet/Outlet Connections:

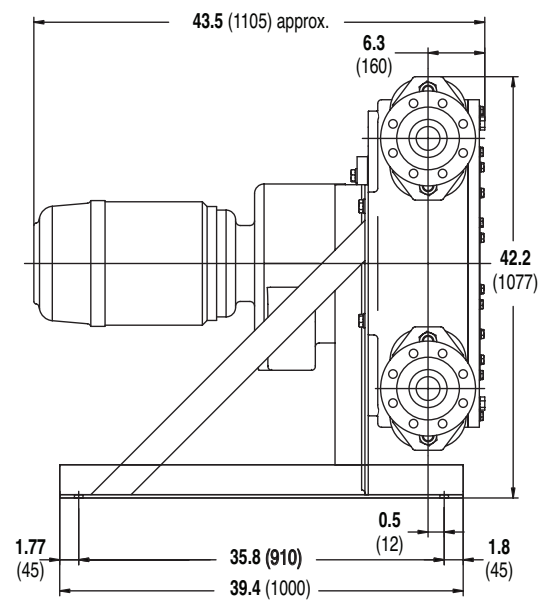
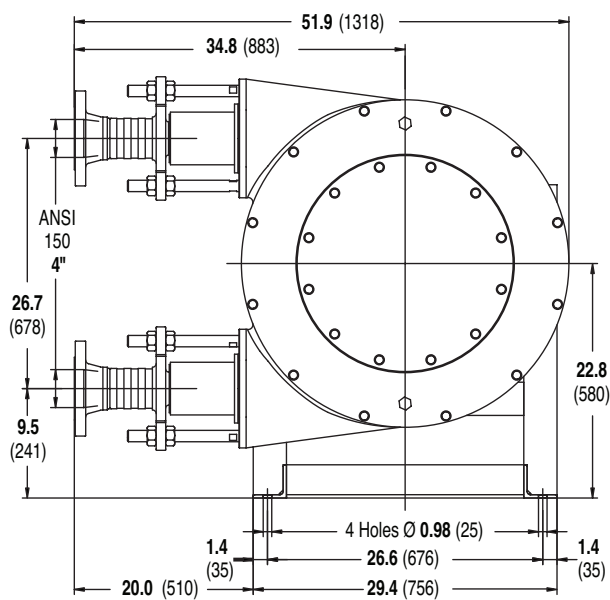
Stainless Steel Flange, Stainless Steel NPT, Carbon Steel NPT, Nylon NPT



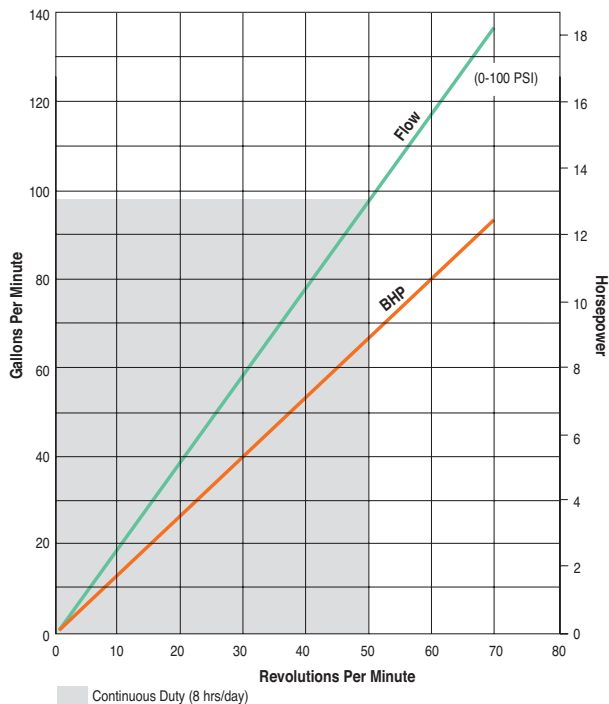
### Dimensional Drawings

Inches (mm)

See Ordering Information for motor and gearbox sizes



### Performance



### Fluid Characteristics

Viscosity:	100,000 cps max.
Liquid Temperature:	180°F (82°C) max.
Solid Size:	(see page 4)
Fiber Length:	36 inch (914 mm) max.

### Specifications

Discharge Pressure:	100 psig (7 bar) max.
Suction Lift:	24 ft. (7.3 m)
Suction Pressure:	21 psig (1.4 bar) max.
Horsepower:*	18 max.
Hose Size:	75 x 120 x 2400 mm
Displacement:	2.5 gal/rev
Lubrication Fluid:	8.5 gal max.
Weight (pump only):	881 lbs. (400 kg)
Weight (with drive):	1,213 lbs. (551 kg)

\* Pumps are shaft driven and require a gearbox and motor. See Ordering Information for details.

### Model 2009 Ordering Information

A complete Vector pump order number uses a 10-character order code to identify the desired hose, fittings and drive. Select the appropriate items from the chart below and use the order code from each group to complete the pump assembly order number.

1	2	3	4	5	6	7	8	9	10
2	0	0	9						

Order Digit	Order Code	Description																																																			
<b>1-4</b>	<b>2009</b>	<b>Pump Designation</b> Model 2009 Shaft Drive Pump																																																			
<b>5-6</b>	<b>EF</b>	<b>Hose Material/Type</b> EPDM, fiber-braided (75 psig max.)																																																			
	<b>HF</b>	Hypalon, fiber-braided (75 psig max.)																																																			
	<b>MF</b>	Natural Rubber, fiber-braided, heavy-duty (100 psig max.)																																																			
	<b>NF</b>	Natural Rubber, fiber-braided (75 psig max.)																																																			
	<b>OF</b>	Oil-rated Nitrile, fiber-braided, heavy-duty (100 psig max.)																																																			
<b>7-8</b>	<b>BB</b>	<b>Connector Material/Style</b> 316 SST, 4" ANSI flange																																																			
	<b>EE</b>	Carbon Steel, 4" male NPT																																																			
	<b>NN</b>	Nylon, 4" male NPT (200°F max)																																																			
	<b>TT</b>	316 SST, 4" male NPT																																																			
<b>9-10</b>	<b>A</b>	<b>Drive</b> No Drive																																																			
		<table border="1"> <thead> <tr> <th>Flow GPM</th> <th>Gear Ratio</th> <th>Pump RPM</th> <th>Max Psig</th> <th>BHP</th> </tr> </thead> <tbody> <tr> <td colspan="5"><b>Three Phase, TEFC, 230-460 VAC, 60 Hz</b></td> </tr> <tr> <td colspan="5"><b>4:1 Constant Torque Speed Range</b></td> </tr> <tr><td><b>B2</b></td><td>41</td><td>79:1</td><td>21</td><td>100<sup>(1)</sup></td><td>7.5</td></tr> <tr><td><b>D2</b></td><td>57</td><td>60:1</td><td>29</td><td>100<sup>(1)</sup></td><td>7.5</td></tr> <tr><td><b>F2</b></td><td>73</td><td>48:1</td><td>37</td><td>100<sup>(1)</sup></td><td>7.5</td></tr> <tr><td><b>H2</b></td><td>84</td><td>41:1</td><td>43</td><td>100<sup>(1)</sup></td><td>10</td></tr> <tr><td><b>J2</b></td><td>97</td><td>35:1</td><td>49</td><td>100<sup>(1)</sup></td><td>10</td></tr> <tr><td><b>L2</b></td><td>120</td><td>28:1</td><td>63</td><td>90<sup>(1)</sup></td><td>15</td></tr> </tbody> </table>	Flow GPM	Gear Ratio	Pump RPM	Max Psig	BHP	<b>Three Phase, TEFC, 230-460 VAC, 60 Hz</b>					<b>4:1 Constant Torque Speed Range</b>					<b>B2</b>	41	79:1	21	100 <sup>(1)</sup>	7.5	<b>D2</b>	57	60:1	29	100 <sup>(1)</sup>	7.5	<b>F2</b>	73	48:1	37	100 <sup>(1)</sup>	7.5	<b>H2</b>	84	41:1	43	100 <sup>(1)</sup>	10	<b>J2</b>	97	35:1	49	100 <sup>(1)</sup>	10	<b>L2</b>	120	28:1	63	90 <sup>(1)</sup>	15
Flow GPM	Gear Ratio	Pump RPM	Max Psig	BHP																																																	
<b>Three Phase, TEFC, 230-460 VAC, 60 Hz</b>																																																					
<b>4:1 Constant Torque Speed Range</b>																																																					
<b>B2</b>	41	79:1	21	100 <sup>(1)</sup>	7.5																																																
<b>D2</b>	57	60:1	29	100 <sup>(1)</sup>	7.5																																																
<b>F2</b>	73	48:1	37	100 <sup>(1)</sup>	7.5																																																
<b>H2</b>	84	41:1	43	100 <sup>(1)</sup>	10																																																
<b>J2</b>	97	35:1	49	100 <sup>(1)</sup>	10																																																
<b>L2</b>	120	28:1	63	90 <sup>(1)</sup>	15																																																
		<table border="1"> <thead> <tr> <th>( ) Fluid Viscosity</th> <th>Pressure Range</th> </tr> </thead> <tbody> <tr> <td>0 - 500 cps</td> <td>0 - 75 psig</td> </tr> <tr> <td>500 - 100,000 cps</td> <td>0 - 100 psig</td> </tr> </tbody> </table>	( ) Fluid Viscosity	Pressure Range	0 - 500 cps	0 - 75 psig	500 - 100,000 cps	0 - 100 psig																																													
( ) Fluid Viscosity	Pressure Range																																																				
0 - 500 cps	0 - 75 psig																																																				
500 - 100,000 cps	0 - 100 psig																																																				