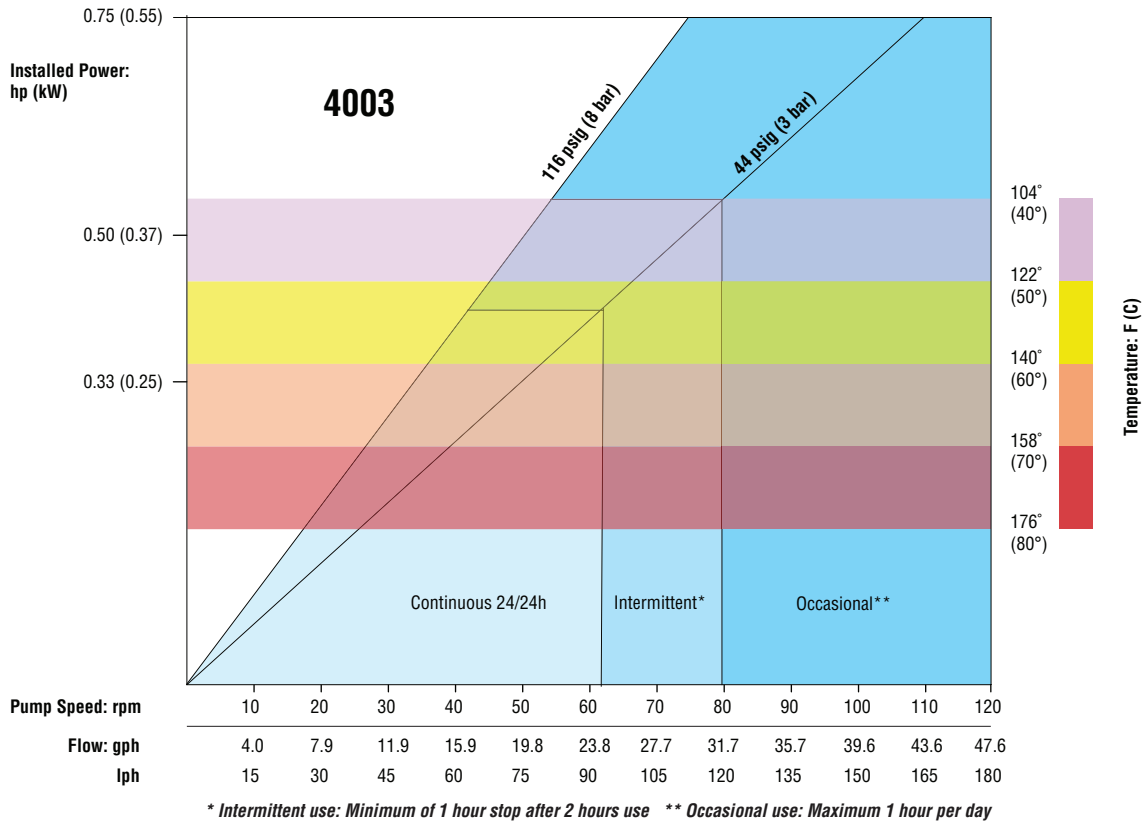


Performance



Fluid Characteristics

Viscosity:	100,000 cps max.
Liquid Temperature:	180°F (82°C) max.
Solid Size:	(see page 4)
Fiber Length:	2-3/8 inch (60 mm) max.

Materials of Construction

Casing:	Ductile Iron
Rotor:	Ductile Iron
Wheel:	Ductile Iron
Frame:	Steel
Cover:	Lexan
Casing O-ring Seal:	Nitrile
Hose Materials:	NR/NBR/EPDM/Hypalon

Specifications

Discharge Pressure:	110 psig (7.6 bar) max.
Suction Lift (sea level):	29.5 ft (9 m) max.
Suction Pressure:	21.8 psig (1.5 bar) max.
NPSHr:	4 ft
Horsepower*:	0.75 max
Hose Size:	10 x 32 x 570 mm
Displacement:	0.0066 gal/rev
Lubrication Fluid:	.37 qts (.35 L) max.
Lubricant:	Glycerine / Glycol
Weight (pump only):	22 lbs. (10 kg)
Weight (with drive):	55 lbs. (25 kg)

* Pumps are shaft driven and require a gearbox and motor. See Ordering Information on following page for details.

Model 4003 Ordering Information

A complete Vector pump order number uses a 10-character order code to identify the desired hose, fittings and drive. Select the appropriate items from the chart to the right and use the order code from each group to complete the pump assembly order number.

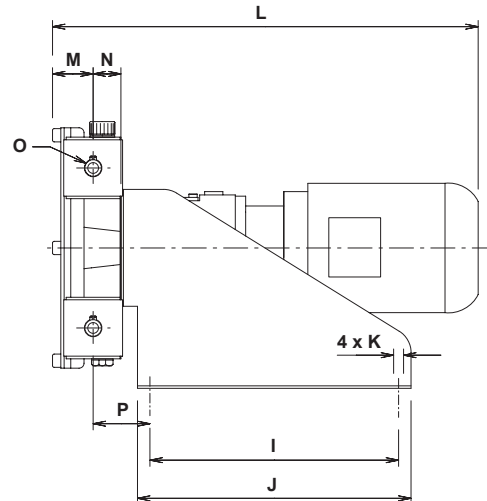
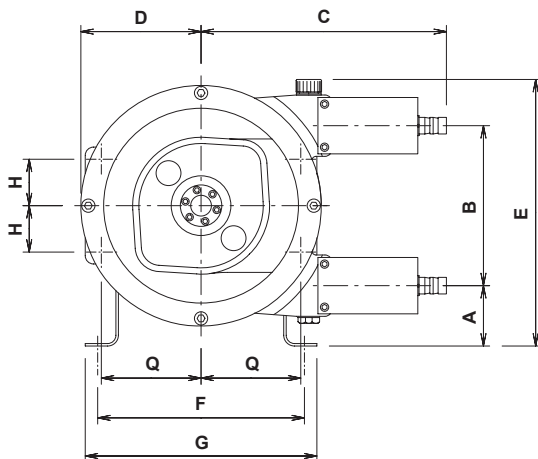


1	2	3	4	5	6	7	8	9	10
4	0	0	3	-		-		-	

Order Digit	Order Code	Description				
1-4	4003	Pump Designation Model 4003 Shaft Drive Pump				
5-6		Hose Material (fiber-braided)				
	MF	Natural Rubber				
	BF	NBR, Oil-rated				
	EF	EPDM				
	HF	Hypalon				
7-8		Connector Material/Style				
	SS	316 SST 3/4" Hose Barb				
	PP	Polypropylene 3/4" Hose Barb				
	MM	PVDF 3/4" Hose Barb				
9-10		Drive				
		Flow GPH				
		Gear Ratio				
		Pump RPM				
		Max Psig				
		BHP				
		3Ø, TEFC, 230/460 VAC, 60 Hz				
		4:1 Inverter Duty Turndown				
	B2	7.0	92:1	18	116*	3/4
	D2	14.0	48:1	36	116*	3/4
	F2	21.0	32:1	54	116*	3/4
	H2	27.0	25:1	69	116*	3/4
	J2	42.0	16:1	108	44	3/4

Dimensional Drawings

See Ordering Information for motor and gearbox sizes.



	A	B	C	D	E	F	G	H	I	J	K	M	N	O	P	Q
Inches	4.1	4.5	8.9	3.7	10.7	8.7	9.5	1.3	10.24	11.02		1.71	1.36		3.20	3.2
mm	103.5	115	225.5	95	271	220	240	33.5	260	280	4xø9	43.5	34.5	ø16	81.25	81.25



1204 Chestnut Avenue, Minneapolis, MN 55403 USA
 Phone: 612-332-5681 • Email: sales@wannereng.com
 www.VectorPumps.com

Printed in USA © Wanner Engineering, Inc.
 VP4003 DS 02.17 Rev A