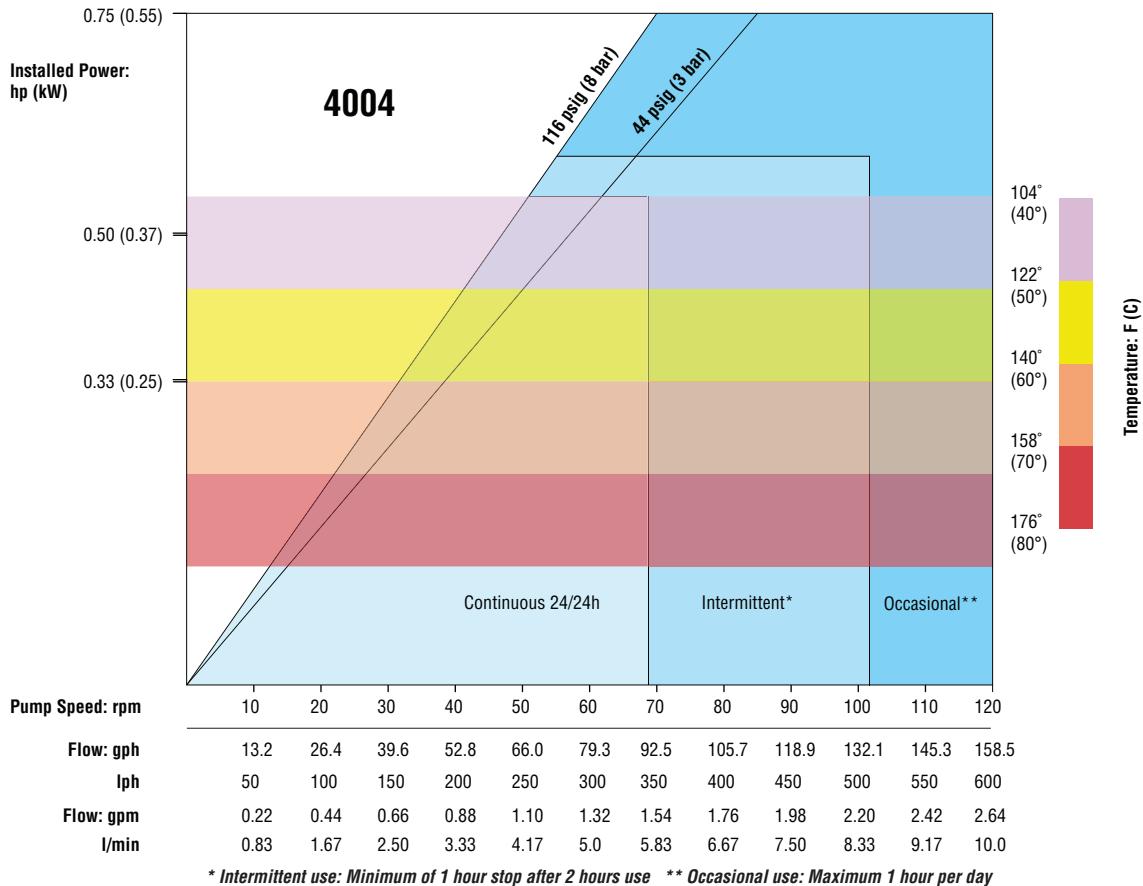


Performance



Fluid Characteristics

| | |
|---------------------|-------------------------|
| Viscosity: | 100,000 cps max. |
| Liquid Temperature: | 180°F (82°C) max. |
| Solid Size: | (see page 4) |
| Fiber Length: | 2-3/4 inch (70 mm) max. |

Materials of Construction

| | |
|---------------------|---------------------|
| Casing: | Ductile Iron |
| Rotor: | Ductile Iron |
| Wheel: | Ductile Iron |
| Frame: | Steel |
| Cover: | Lexan |
| Casing O-ring Seal: | Nitrile |
| Hose Materials: | NR/NBR/EPDM/Hypalon |

Specifications

| | |
|---------------------------|--------------------------|
| Discharge Pressure: | 110 psig (7.6 bar) max. |
| Suction Lift (sea level): | 29.5 ft (9 m) max. |
| Suction Pressure: | 21.8 psig (1.5 bar) max. |
| NPSHr: | 4 ft |
| Horsepower:* | 0.75 max |
| Hose Size: | 15 x 37 x 830 mm |
| Displacement: | 0.022 gal/rev |
| Lubrication Fluid: | .42 qts (.4 L) max. |
| Lubricant: | Glycerine / Glycol |
| Weight (pump only): | 49 lbs. (22 kg) |
| Weight (with drive): | 77 lbs. (49 kg) |

* Pumps are shaft driven and require a gearbox and motor. See Ordering Information on following page for details.

Model 4004 Ordering Information

A complete Vector pump order number uses a 10-character order code to identify the desired hose, fittings and drive. Select the appropriate items from the chart to the right and use the order code from each group to complete the pump assembly order number.

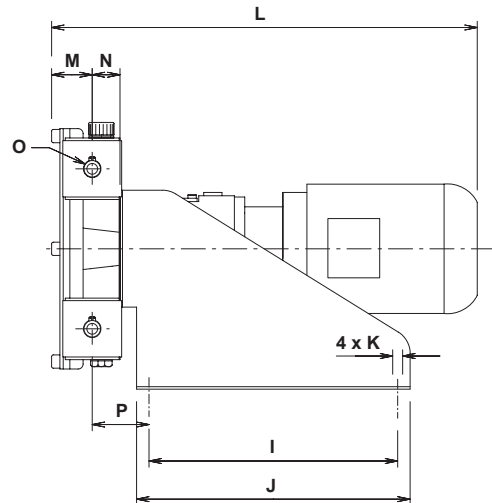
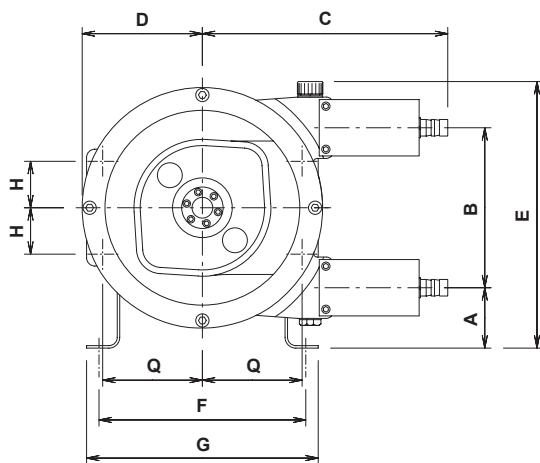


| | | | | | | | | | |
|---|---|---|---|---|---|---|---|---|----|
| 1 | 2 | 3 | 4 | 5 | 6 | 7 | 8 | 9 | 10 |
| 4 | 0 | 0 | 4 | - | | - | | - | |

| Order Digit | Order Code | Description | | | | |
|-------------|-------------|--|------|----|------|-----|
| 1-4 | 4004 | Pump Designation Model 4004 Shaft Drive Pump | | | | |
| 5-6 | | Hose Material (fiber-braided) | | | | |
| | MF | Natural Rubber | | | | |
| | BF | NBR, Oil-rated | | | | |
| | EF | EPDM | | | | |
| | HF | Hypalon | | | | |
| 7-8 | | Connector Material/Style | | | | |
| | SS | 316 SST 3/4" Hose Barb | | | | |
| | PP | Polypropylene 3/4" Hose Barb | | | | |
| | MM | PVDF 3/4" Hose Barb | | | | |
| 9-10 | | Drive | | | | |
| | | Flow | | | | |
| | | GPH | | | | |
| | | Gear Ratio | | | | |
| | | Pump RPM | | | | |
| | | Max Psig | | | | |
| | | BHP | | | | |
| | | 3Ø, TEFC, 230/460 VAC, 60 Hz | | | | |
| | | 4:1 Inverter Duty Turndown | | | | |
| | B2 | 23.7 | 92:1 | 18 | 116* | 3/4 |
| | D2 | 47.2 | 48:1 | 36 | 116* | 3/4 |
| | F2 | 71.0 | 32:1 | 54 | 116* | 1 |
| | H2 | 91.0 | 25:1 | 69 | 100* | 1 |
| | J2 | 115.7 | 20:1 | 88 | 45 | 1 |

Dimensional Drawings

See Ordering Information for motor and gearbox sizes.



| | A | B | C | D | E | F | G | H | I | J | K | M | N | O | P | Q |
|--------|-----|-----|------|-----|------|-----|------|------|------|------|-------|-----|------|------|------|-------|
| Inches | 2.9 | 7.6 | 11.7 | 5.7 | 12.7 | 9.8 | 11.0 | 2.0 | 11.8 | 13.0 | | 1.9 | 1.4 | | 2.8 | 4.9 |
| mm | 73 | 193 | 296 | 145 | 322 | 250 | 280 | 51.5 | 300 | 330 | 4xø13 | 49 | 35.5 | ø20* | 70.5 | 124.5 |



1204 Chestnut Avenue, Minneapolis, MN 55403 USA
 Phone: 612-332-5681 • Email: sales@wannereng.com
 www.VectorPumps.com

Printed in USA © Wanner Engineering, Inc.
 VP4004 DS 02.17 Rev A