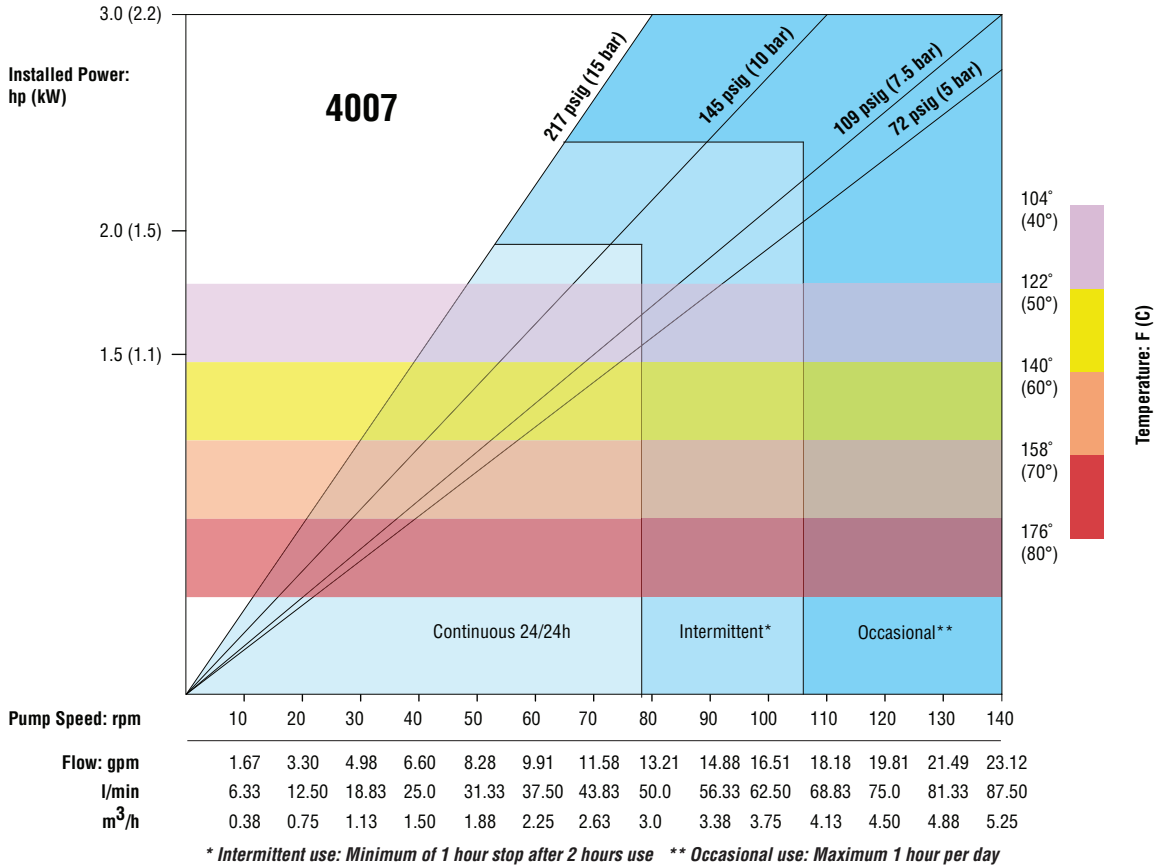


Performance



Fluid Characteristics

Viscosity:	100,000 cps max.
Liquid Temperature:	180°F (82°C) max.
Solid Size:	(see page 4)
Fiber Length:	7-7/8 inch (300 mm) max.

Materials of Construction

Casing:	Ductile Iron
Rotor:	Ductile Iron
Shoes:	Aluminium
Frame:	Steel
Cover:	Electroplated Steel
Casing O-ring Seal:	Nitrile
Hose Materials:	NR/NBR/EPDM/Hypalon

Specifications

Discharge Pressure:	218 psig (15 bar) max.
Suction Lift (sea level):	29.5 ft (9 m) max.
Suction Pressure:	21.8 psig (1.5 bar) max.
NPSHr:	4 ft
Horsepower:*	3.0 max.
Hose Size:	32 x 63 x 1300 mm
Displacement:	0.165 gal/rev
Lubrication Fluid:	2.64 qts (2.5 L)
Lubricant:	Glycerine / Glycol
Weight (pump only):	194 lbs. (88 kg)
Weight (with drive):	287 lbs. (130 kg)

* Pumps are shaft driven and require a gearbox and motor. See Ordering Information on following page for details.

Model 4007 Ordering Information

A complete Vector pump order number uses a 10-character order code to identify the desired hose, fittings and drive. Select the appropriate items from the chart to the right and use the order code from each group to complete the pump assembly order number.

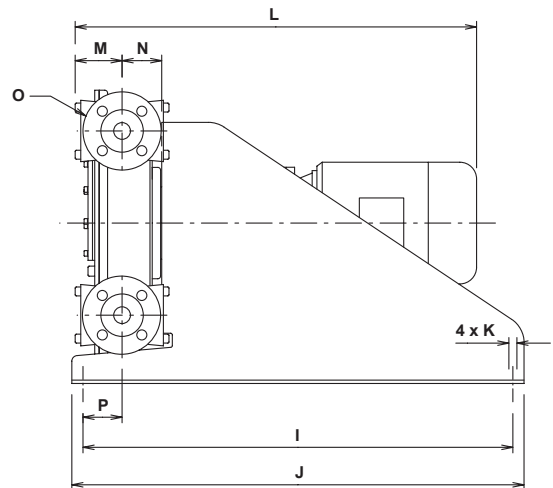
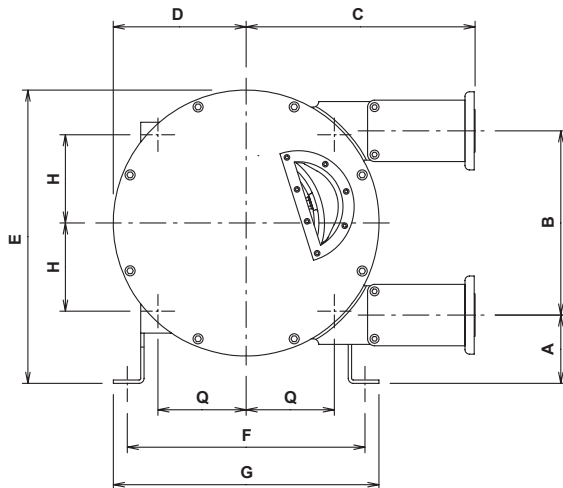


1	2	3	4	5	6	7	8	9	10
4	0	0	7	-		-		-	

Order Digit	Order Code	Description				
1-4	4007	Pump Designation Model 4007 Shaft Drive Pump				
5-6		Hose Material (fiber-braided)				
	MF	Natural Rubber				
	BF	NBR, Oil-rated				
	EF	EPDM				
	HF	Hypalon				
7-8		Connector Material/Style				
	BB	316 SST insert w/ 316 SST 1-1/2" 150 Lb ANSI flange				
	PP	Polypropylene insert w/ 316 SST 1-1/2" 150 Lb ANSI flange				
	MM	PVDF insert w/ 316 SST 1-1/2" 150 Lb ANSI flange				
9-10		Drive				
		Flow GPM				
		Gear Ratio				
		Pump RPM				
		Max Psig				
		BHP				
		3Ø, TEFC, 230/460 VAC, 60 Hz				
		4:1 Inverter Duty Turndown				
	B2	2.9	97:1	18	217*	1.5
	D2	5.3	54:1	32	217*	2
	F2	7.4	39:1	45	217*	3
	H2	10.4	28:1	63	217*	3
	J2	14.3	20:1	87	140*	3
	K2	16.5	17:1	100	140*	3

Dimensional Drawings

See Ordering Information for motor and gearbox sizes.



	A	B	C	D	E	F	G	H	I	J	K	M	N	O	P	Q
Inches	4.8	13.0	17.2	9.4	20.7	16.8	18.7	6.2	30.3	31.9	3.3	3.5	1.5" 150 lb	3.6	6.2	
mm	122.5	330	435.5	238	525.5	426	476	157.75	770	810	4xØ13	83	89	ANSI	91	157.75



1204 Chestnut Avenue, Minneapolis, MN 55403 USA
 Phone: 612-332-5681 • Email: sales@wannereng.com
 www.VectorPumps.com

Printed in USA © Wanner Engineering, Inc.
 VP4007 DS 02.17 Rev A