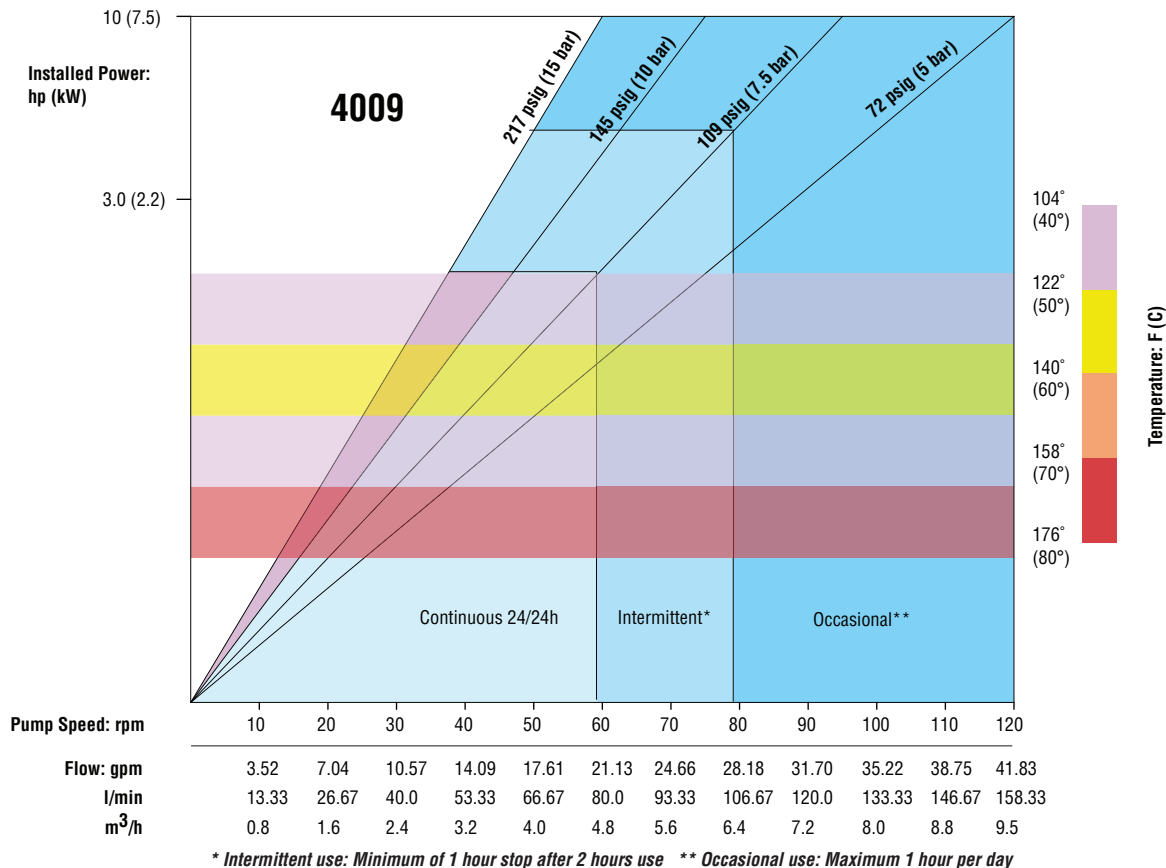


## Performance



## Fluid Characteristics

Viscosity:	100,000 cps max.
Liquid Temperature:	180°F (82°C) max.
Solid Size:	(see page 4)
Fiber Length:	11-7/8 inch (300 mm) max.

## Materials of Construction

Casing:	Ductile Iron
Rotor:	Ductile Iron
Shoes:	Aluminium
Frame:	Steel
Cover:	Steel
Casing O-ring Seal:	Nitrile
Hose Materials:	NR/NBR/EPDM/Hypalon

## Specifications

Discharge Pressure:	218 psig (15 bar) max.
Suction Lift (sea level):	29.5 ft (9 m) max.
Suction Pressure:	21.8 psig (1.5 bar) max.
NPSHr:	4 ft
Horsepower*:	5.0 max.
Hose Size:	40 x 67 x 1500 mm
Displacement:	0.352 gal/rev
Lubrication Fluid:	5.28 qts (5 L)
Lubricant:	Glycerine / Glycol.
Weight (pump only):	203 lbs. (92 kg)
Weight (with drive):	463 lbs. (210 kg)

\* Pumps are shaft driven and require a gearbox and motor.  
See Ordering Information on following page for details.

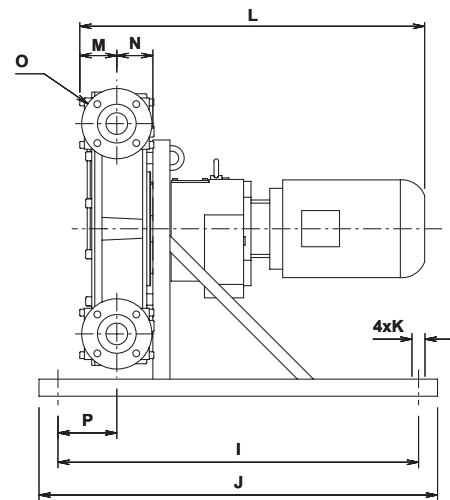
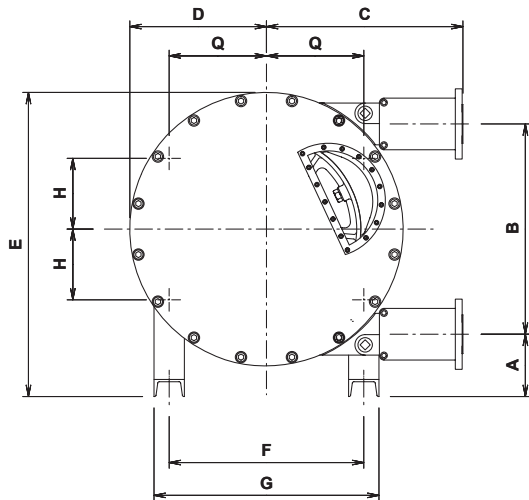
## Model 4009 Ordering Information

A complete Vector pump order number uses a 10-character order code to identify the desired hose, fittings and drive. Select the appropriate items from the chart to the right and use the order code from each group to complete the pump assembly order number.



## Dimensional Drawings

See Ordering Information for motor and gearbox sizes.



	A	B	C	D	E	F	G	H	I	J	K	M	N	O	P	Q
Inches	4.3	16.9	15.8	11.5	24.3	13.4	16.5	6.7	33.5	37.4	2.9	3.5	1.5" 150 lb	3.4	6.7	
mm	110	430	400	291	616	340	420	170	850	950	4xø19	73	88	ANSI	87	170

1	2	3	4	5	6	7	8	9	10
4	0	0	9	-		-		-	

Order Digit	Order Code	Description
-------------	------------	-------------

<b>1-4</b>	<b>4009</b>	<b>Pump Designation</b> Model 4009 Shaft Drive Pump
------------	-------------	--------------------------------------------------------

<b>5-6</b>		<b>Hose Material (fiber-braided)</b>
	MF	Natural Rubber
	BF	NBR, Oil-rated
	EF	EPDM
	HF	Hypalon

<b>7-8</b>		<b>Connector Material/Style</b>
	BB	316 SST insert w/ 316 SST 1-1/2" 150 Lb ANSI flange
	PP	Polypropylene insert w/ 316 SST 1-1/2" 150 Lb ANSI flange
	MM	PVDF insert w/ 316 SST 1-1/2" 150 Lb ANSI flange

	<b>Drive</b>				
	Flow GPM	Gear Ratio	Pump RPM	Max Psig	BHP
	<b>3Ø, TEFC, 230/460 VAC, 60 Hz</b>				
	<b>4:1 Inverter Duty Turndown</b>				
B2	8.4	72:1	24	217*	3
D2	12.6	49:1	36	217*	5
F2	15.8	39:1	45	217*	5
H2	19.0	32:1	54	160*	5
J2	24.7	25:1	70	120*	7.5
K2	35.9	17:1	102	72	7.5

Fluid Viscosity	Pressure Range*
0 - 250 cps	0 - 75 psig
250 - 100,000 cps	0 - 217 psig