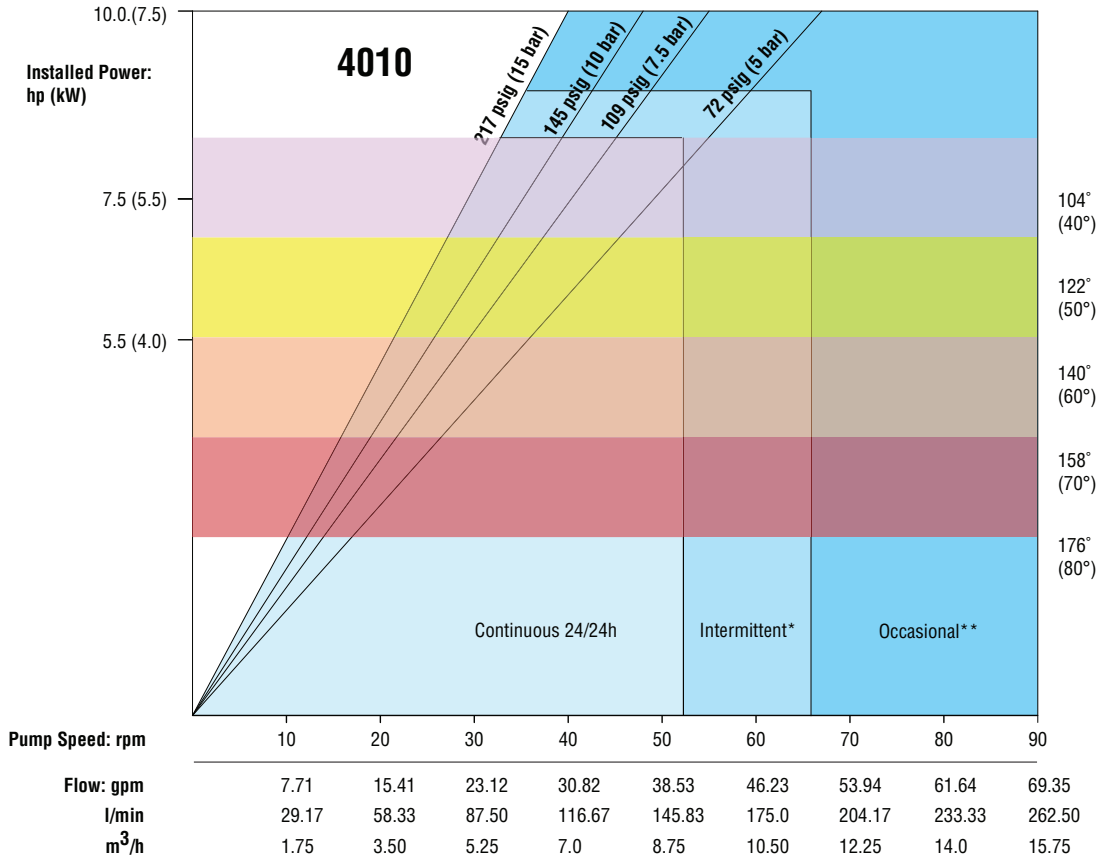


Performance



* Intermittent use: Minimum of 1 hour stop after 2 hours use ** Occasional use: Maximum 1 hour per day

Fluid Characteristics

| | |
|---------------------|---------------------------|
| Viscosity: | 100,000 cps max. |
| Liquid Temperature: | 180°F (82°C) max. |
| Solid Size: | (see page 4) |
| Fiber Length: | 19-5/8 inch (500 mm) max. |

Materials of Construction

| | |
|---------------------|---------------------|
| Casing: | Ductile Iron |
| Rotor: | Ductile Iron |
| Shoes: | Cast Iron |
| Frame: | Steel |
| Cover: | Steel |
| Casing O-ring Seal: | Nitrile |
| Hose Materials: | NR/NBR/EPDM/Hypalon |

Specifications

| | |
|---------------------------|--------------------------|
| Discharge Pressure: | 218 psig (15 bar) max. |
| Suction Lift (sea level): | 29.5 ft (9 m) max. |
| Suction Pressure: | 21.8 psig (1.5 bar) max. |
| NPSHr: | 4 ft |
| Horsepower*: | 10 max. |
| Hose Size: | 51 x 81 x 1820 mm |
| Displacement: | 0.77 gal/rev |
| Lubrication Fluid: | 10.57 qts (10 L) |
| Lubricant: | Glycerine / Glycol |
| Weight (pump only): | 430 lbs. (195 kg) |
| Weight (with drive): | 694 lbs. (315 kg) |

* Pumps are shaft driven and require a gearbox and motor. See Ordering Information on following page for details.

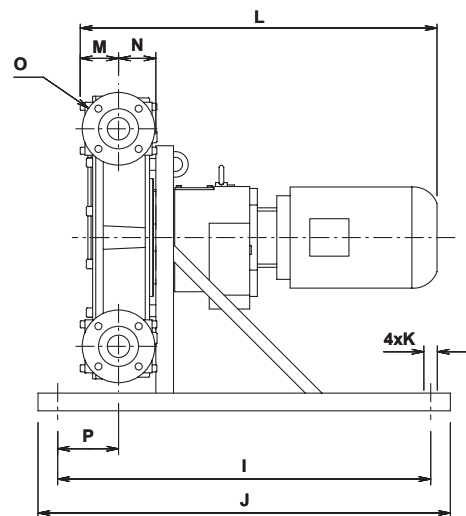
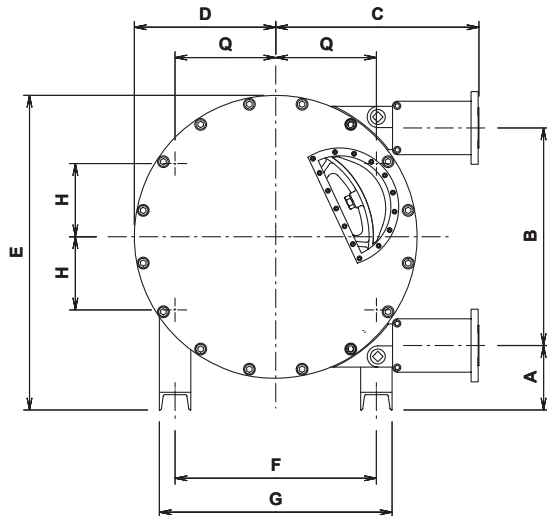
Model 4010 Ordering Information

A complete Vector pump order number uses a 10-character order code to identify the desired hose, fittings and drive. Select the appropriate items from the chart to the right and use the order code from each group to complete the pump assembly order number.



Dimensional Drawings

See Ordering Information for motor and gearbox sizes.



| | A | B | C | D | E | F | G | H | I | J | K | M | N | O | P | Q |
|--------|-------|------|-------|------|-------|------|------|-----|------|------|-------|------|-------|------|------|-------|
| Inches | 6.5 | 21.8 | 20.4 | 14.2 | 31.6 | 20.2 | 23.4 | 7.3 | 37.4 | 41.3 | 3.8 | 4.0 | 2" 1b | 6.4 | 10.1 | |
| mm | 164.5 | 554 | 517.5 | 360 | 801.5 | 513 | 593 | 186 | 950 | 1050 | 4xø19 | 97.5 | 102 | ANSI | 162 | 256.5 |

| | | | | | | | | | | | | |
|---|---|---|---|---|---|---|---|---|---|---|---|----|
| 1 | 2 | 3 | 4 | - | 5 | 6 | - | 7 | 8 | - | 9 | 10 |
| 4 | 0 | 1 | 0 | - | | | - | | | - | | |

| Order Digit | Order Code | Description | | | | |
|-------------|-------------|--|------|----|------|-----|
| 1-4 | 4010 | Pump Designation Model 4010 Shaft Drive Pump | | | | |
| 5-6 | MF | Hose Material (fiber-braided) Natural Rubber | | | | |
| | BF | NBR, Oil-rated | | | | |
| | EF | EPDM | | | | |
| | HF | Hypalon | | | | |
| 7-8 | BB | Connector Material/Style 316 SST insert w/ 316 SST 2" 150 Lb ANSI flange | | | | |
| | PP | Polypropylene insert w/ 316 SST 2" 150 Lb ANSI flange | | | | |
| | MM | PVDF insert w/ 316 SST 2" 150 Lb ANSI flange | | | | |
| 9-10 | | Drive | | | | |
| | | Flow GPM | | | | |
| | | Gear Ratio | | | | |
| | | Pump RPM | | | | |
| | | Max Psig | | | | |
| | | BHP | | | | |
| | | 3Ø, TEFC, 230/460 VAC, 60 Hz 4:1 Inverter Duty Turndown | | | | |
| | B2 | 19.0 | 71:1 | 25 | 217* | 7.5 |
| | D2 | 26.9 | 50:1 | 35 | 217* | 10 |
| | F2 | 36.9 | 37:1 | 48 | 100* | 10 |
| | H2 | 47.7 | 28:1 | 62 | 72 | 10 |
| | J2 | 58.5 | 23:1 | 76 | 45 | 10 |

| Fluid Viscosity | Pressure Range* |
|-------------------|-----------------|
| 0 - 250 cps | 0 - 75 psig |
| 250 - 100,000 cps | 0 - 217 psig |