

Solenoid pumps Duplex series

The Duplex solenoid pump is one of a range of solenoid pumps of compact size which embodies design excellence coupled with outstanding performances and reliability.

The Duplex pump designed for pumping liquids, operates on the solenoid principle. Motion occurs when the coil is energized with unidirectional impulses created by an alternating current passing through a diode.

The Duplex pump is brass made with threaded female 1/8" inlet and outlet ports, while the ball valves are in glass/EPDM.

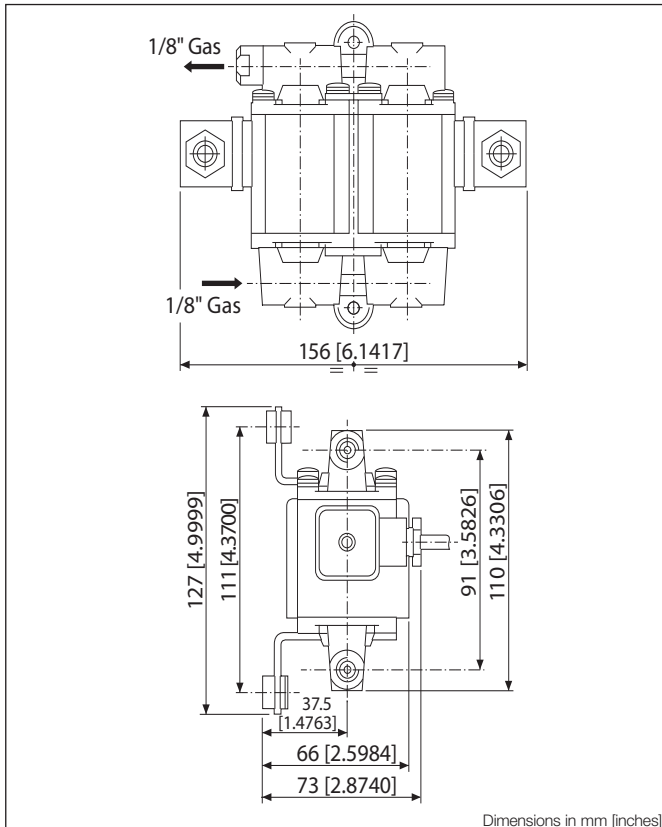
The piston working inside a brass tube is in stainless steel.

The pump may be mounted in any orientation on shock absorbing supports for the quieter operation.



MAIN APPLICATIONS

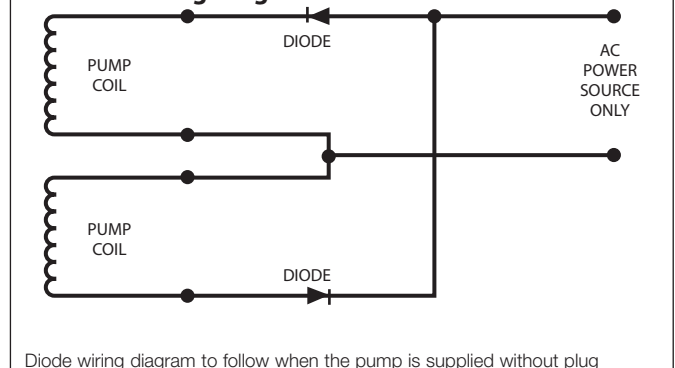
- Beverage vending machines
- Water carbonators
- Post mix drink dispensers
- Ultra-filtration
- Reverse osmosis



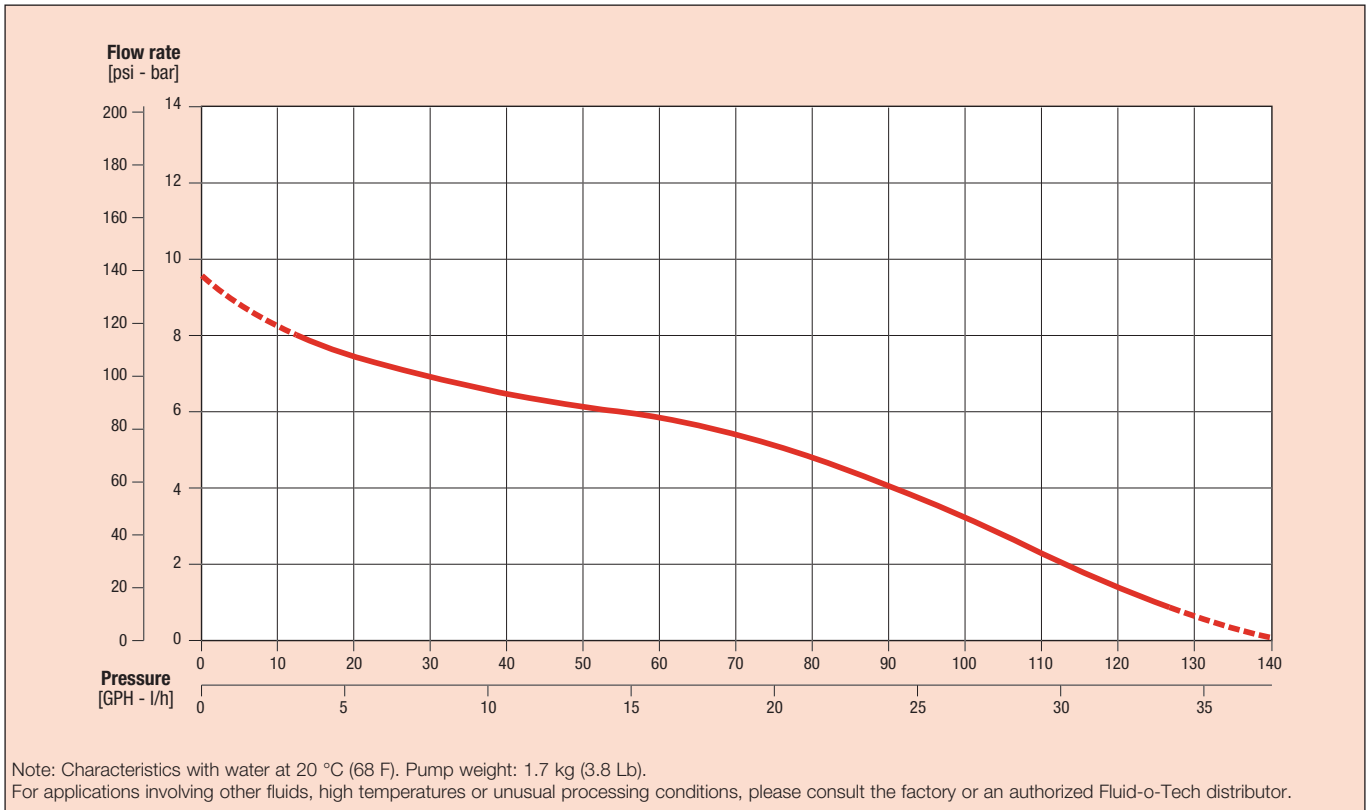
ELECTRICAL CHARACTERISTICS

Voltage	220/240 V	100/110 V
Frequency	50 Hz	50/60 Hz
Power	140 W	140 W
Current	1.6 A at 220 V/50Hz	2.7 A at 110 V/60Hz

Wiring Diagram



MODEL	VOLTAGE	FREQUENCY	CURRENT CONSUMPTION
4008 PAAL M3N 00C1	220/240 V	50 Hz	1.6 A
4008 PAAF M3N 00C1	100/110 V	50/60 Hz	2.7 A



Fluid-o-Tech reserves the right to alter the specifications indicated in this catalogue at any time and without prior notice.

Fluid-o-Tech srl
 Via Leonardo da Vinci, 40
 20094 Corsico, Milano, Italy
 Tel. +39 02 9995 01
 Fax +39 02 9995 0999
 info@fluidotech.it

Fluid-o-Tech Int'l Inc.
 161 Atwater St.,
 06479 Plantsville CT (USA)
 Tel. +1 (860) 276 9270
 Fax +1 (860) 620 0193
 info@fluid-o-tech.com

Fluid-o-Tech Int'l Inc. Japan
 201, 4-3-10, Todoroki,
 Setagaya, Tokyo 158-082, Japan
 Tel. +81 (0) (3) 6432 1812
 Fax +81 (0) (3) 6432 1813
 erkkato@fluidotech.jp

Fluid-o-Tech Asia (Beijing) Co., Ltd
 Jingwei Industrial Zone,
 Beifang Huairou, Beijing, 101400, PRC
 Tel. +86 (0) (10) 6168 4650
 Fax +86 (0) (10) 6168 4651
 info@fluidotech-asia.com