

# Submittal Data Sheet

Wilco ECC - Submersible Sump Pumps

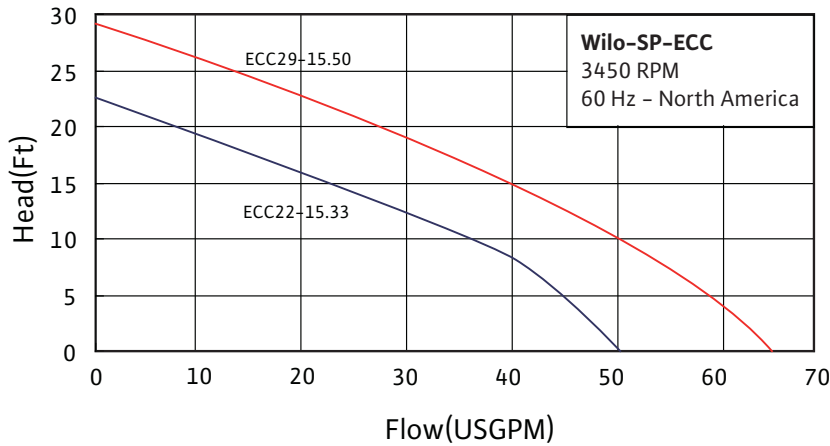


## Wilco ECC



Project:	
Engineer:	
Contractor:	
Submitted By:	Date:
Approved By:	Date:

Tag #	Model #	Flow	Head	HP	Cycle	Phase	Voltage	RPM
	ECC22-15.33				60Hz	1	115	3450
	ECC29-15.50				60Hz	1	115	3450



### Technical Data

Temp Range:	Max.77°F (25°C)
Power Supply	1~115
Discharge Size:	1-½" NPT / 1-¼" NPT (with adaptor)

### Materials of Construction

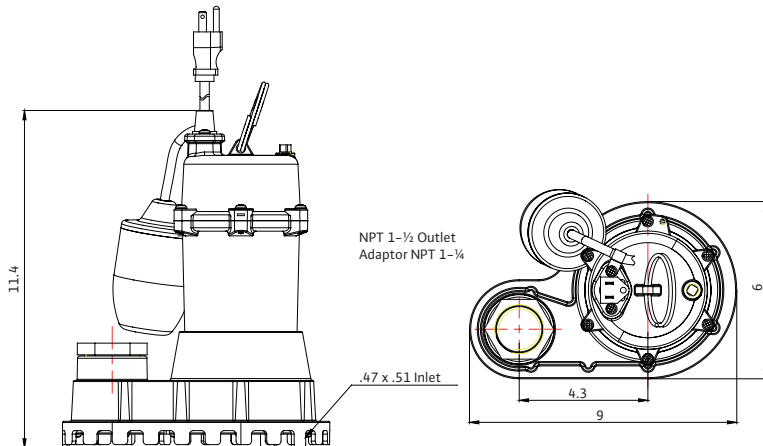
Motor Housing	Cast Iron
Pump volute	Cast Iron
Impeller	Thermoplastic

### Motor Data

Model	P2 [HP]	Phase [-]	FLA [A]	Voltage [V]
ECC22-15.33	1/3	1	4.0	115
ECC29-15.50	1/2	1	4.7	115

### Applications

- Drainage
- Sump & De-watering



WILO USA LLC

Tel: (866) 945-6872 Web: www.wilo-usa.com  
 Fax: (708) 338-9455 Email: info@wilo-usa.com

WILO Canada Inc.

Tel: (866) 945-6236 Web: www.wilo-canada.com  
 Fax: (403) 277-9456 Email: info@wilo-canada.com

WILO Mexico

Tel: +52 55 5586 3209 Web: www.wilo-mexico.com.mx  
 Fax: +52 1 55 5413 4165 Email: info@wilo.com.mx