

Submittal Data Sheet

Wilo ECS - Sump/Effluent Pumps



Wilo ECS



Project: _____

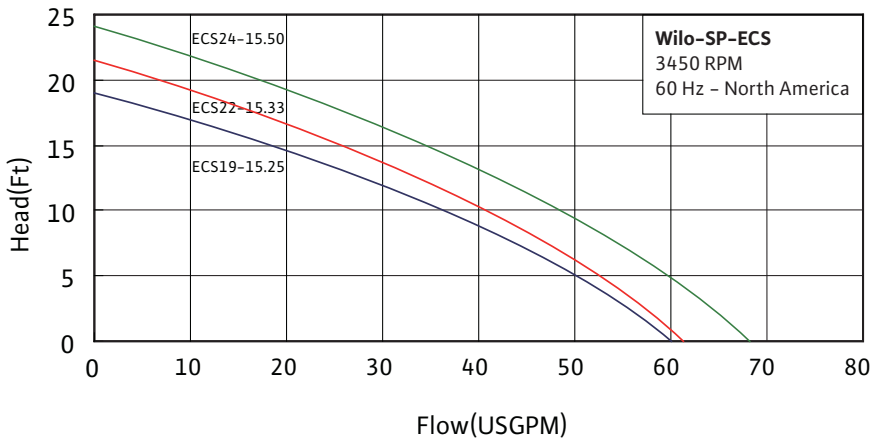
Engineer: _____

Contractor: _____

Submitted By: _____ Date: _____

Approved By: _____ Date: _____

| Tag # | Model # | Flow | Head | HP | Cycle | Phase | Voltage | RPM |
|-------|-------------|------|------|----|-------|-------|---------|------|
| | ECS19-15.25 | | | | 60Hz | 1 | 115 | 3450 |
| | ECS22-15.33 | | | | 60Hz | 1 | 115 | 3450 |
| | ECS25-15.50 | | | | 60Hz | 1 | 115 | 3450 |



Technical Data

| | |
|-----------------|------------------------------------|
| Temp Range: | Max.77°F (25°C) |
| Power Supply | 1~115 |
| Discharge Size: | 1-½" NPT / 1-¼" NPT (with adaptor) |

Materials of Construction

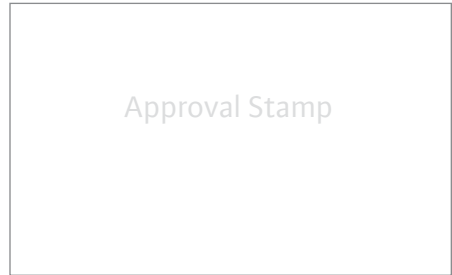
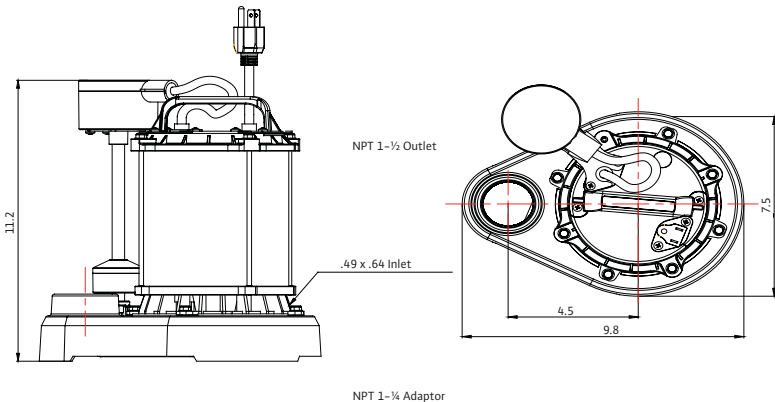
| | |
|---------------|-----------------|
| Motor Housing | Stainless Steel |
| Pump volute | Cast Iron |
| Impeller | Thermoplastic |

Motor Data

| Model | P2 [HP] | Phase [-] | FLA [A] | Voltage [V] |
|-------------|---------|-----------|---------|-------------|
| ECS19-15.25 | ¼ | 1 | 3.8 | 115 |
| ECS22-15.33 | ⅓ | 1 | 4.9 | 115 |
| ECS24-15.50 | ½ | 1 | 6.3 | 115 |

Applications

- Drainage
- Sump & De-watering



Email

Print

Save

WILO USA LLC

Tel: (866) 945-6872 Web: www.wilo-usa.com
 Fax: (708) 338-9455 Email: info@wilo-usa.com

WILO Canada Inc.

Tel: (866) 945-6236 Web: www.wilo-canada.com
 Fax: (403) 277-9456 Email: info@wilo-canada.com

WILO Mexico

Tel: +52 55 5586 3209 Web: www.wilo-mexico.com.mx
 Fax: +52 1 55 5413 4165 Email: info@wilo.com.mx